

WOOJIN

CUSTOMER	
----------	--

SPECIFICATION

Item	SPEAKER - GEN			
	PAPER CONE TYPE			
Customer's Model No.				
Model No.	EB-07405-01			
spec	SIZE	70X40	IMP	8 Ω
	POWER	NOM 2.0 W	MAX	3.0 W
Approval Date				

CUSTOMER'S APPROVAL		
DESIGN	CHECKED	APPROVED

WOO JIIN SOUND

204-1, AREUMDAUNPLAZA 537-2,
SANG-DONG, WONMI-GU, BUCHEON-SI,
GYEONGGI-DO, KOREA
TEL : (0 7 0) 8 7 4 9 - 8 7 4 5 ~ 6
FAX : (0 3 2) 2 5 8 - 8 7 4 7
E-mail : tyin@star-sound.co.kr

DESIGN	CHECKED	APPRO
H.S.J	I.G.S	E.S.C

APPROVAL SHEET

WOOJIN

Model No.	EB-07405-01	I t e m	SPEAKER - GEN
			PAPER CONE TYPE

1. 적 용 (Application)
 본 승인원은 일반 스피커의 검토 및 승인에 적용한다.
 (This APPROVAL SHEET is applied for the examination and approval.)

2. 일반 사항 (General Item)

2-1 공급자가 부품의 사양, 구조, 재질, 제조장소, 공정등을 변경하고자 할때는 필히 재 승인을 득해야 한다. (제조 장소 WOO JIN SOUND)
 (As supplier tries to change the specification, material, producing place and process make sure to get the approval again. Producing place : WOO JIN SOUND)

2-2 공업 소유권, 품질보증등에 대해서는 "품질보증계약서"에 의한다.
 (The ownership of industry, the guarantee of the quality and ect. Are on the ground of the guarantee contract for quality of parts.)

3. 취급시 주의 사항 (Attention of management)
 본 제품은 자석을 이용한 제품으로 취급상 제품끼리 붙이거나 철 가루등 자력에 영향을 주는 이물질과 격리 시켜야 한다.
 (These speakers use the magnet, they should not contact with other speakers and it should isolate with the material to give a Iron powder magnet the influence)

APPROVAL SHEET

WOOJIN

Model No.	EB-07405-01	Item	SPEAKER – GEN
			PAPER CONE TYPE

4. Unit Specification

4-1. Mechanical Specification

No.	Item	Description
1	Dimension	70×40mm
2	Total Weight	38.8 g ± 10 % 1.368 OZ
3	Magnet	Main Magnet
		Sub Magnet
		ND MAGNET Φ12.5 ×1.5t
4	Appearance	Should not exist any sbstacles to be harmful to nominal operation, from damages, cracks, rusts and distortions, etc

4-2. Electro-acoustical Specification

No.	Item	Description
1	Impedance	8 Ω ± 15% at 1000 Hz 1.0 V
2	Resonance Frequency	200 Hz ± 40 Hz at 1.0V
3	S.P.L	84 dB ± 2 dB at 1.0 W 0.5 m 800, 1000, 1200, 1500 Hz in Average
4	Response	200 Hz ~ 20 KHz Deviation 20 dB Max,
5	Rated Input Power	Nominal Power Rating 2.0 W
6	Max Input Power	Max Power Rating 3.0 W
7	BUZZ & RATTLE	Must be nominal at sine wave 4.00 V
8	THD (Distortion)	5% Max at 1000 Hz 2.0 W
9	Gap Flux Density	- Gauss ± 10%
10	Polarity	When a positive D.C current is applied to the voice coil terminal marked (+), The diaphragm shall move forward
11	Standard test conditions	Conform to KS C 6027 (EQUIVALENT TO JIS C 5532)

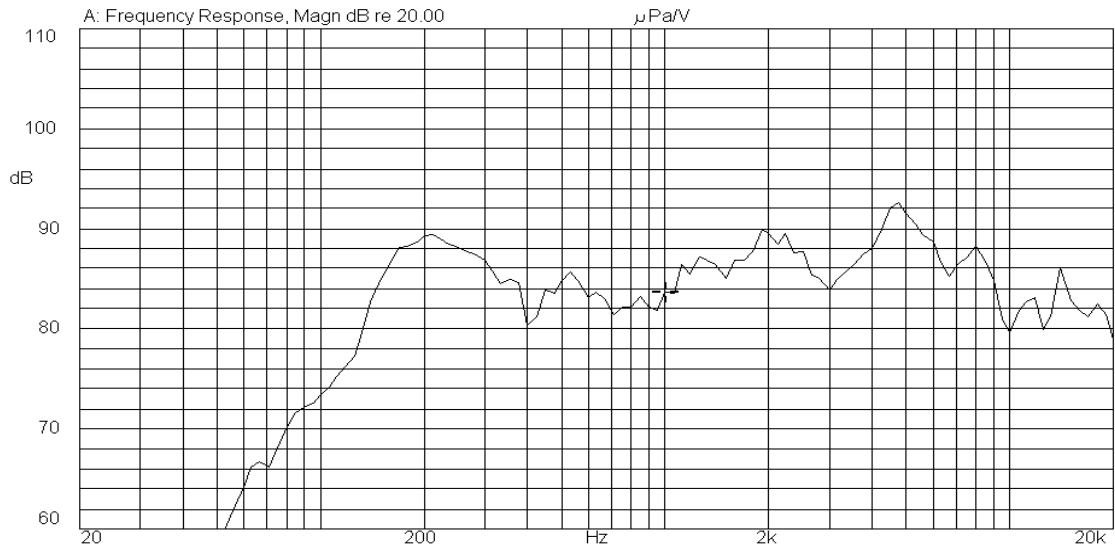
APPROVAL SHEET

WOOJIN

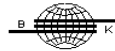
Model No.	EB-07405-01	Item	SPEAKER - GEN
			PAPER CONE TYPE

5. Frequency Response Curve

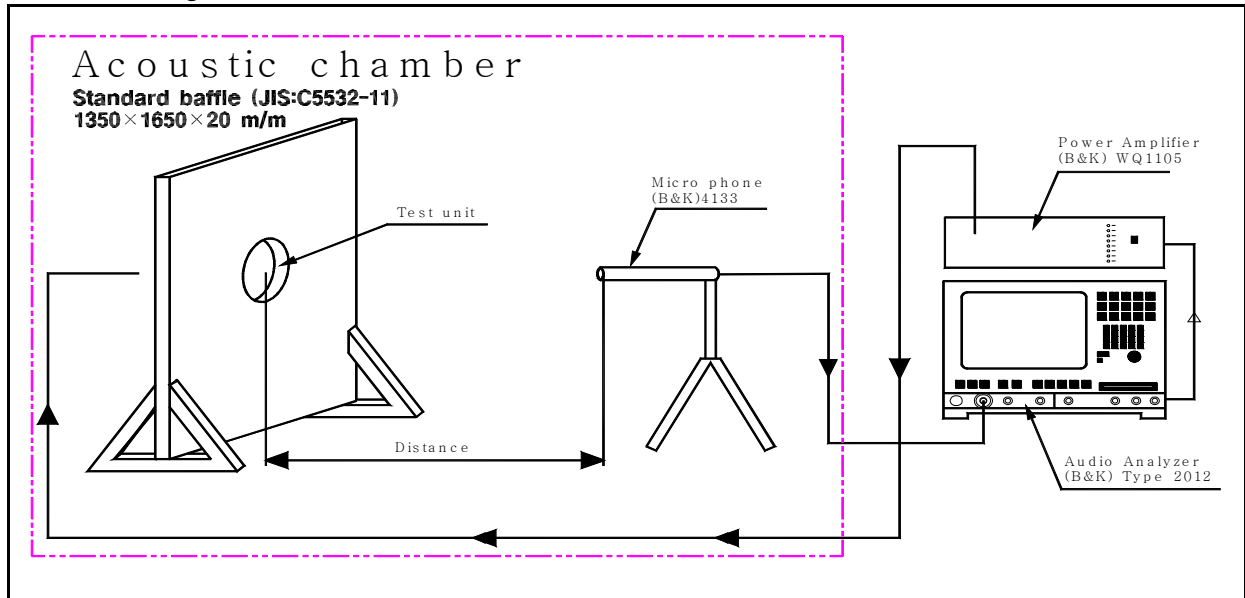
X:1.0000kHz *Y:83.65dB ZA:Live Curve SSR Fund.



Mode: SSR



6. Block Diagram



Test Signal	1.0 W	2.83 V
Testing Distance	0.5 m	
Response Time	0.5 sec	
Baffle Box	JIS C 5532 - 11	

APPROVAL SHEET

WOOJIN

Model No.	EB-07405-01	Item	SPEAKER – GEN PAPER CONE TYPE
------------------	--------------------	-------------	--

7. 신뢰성 시험 (The reliability test)

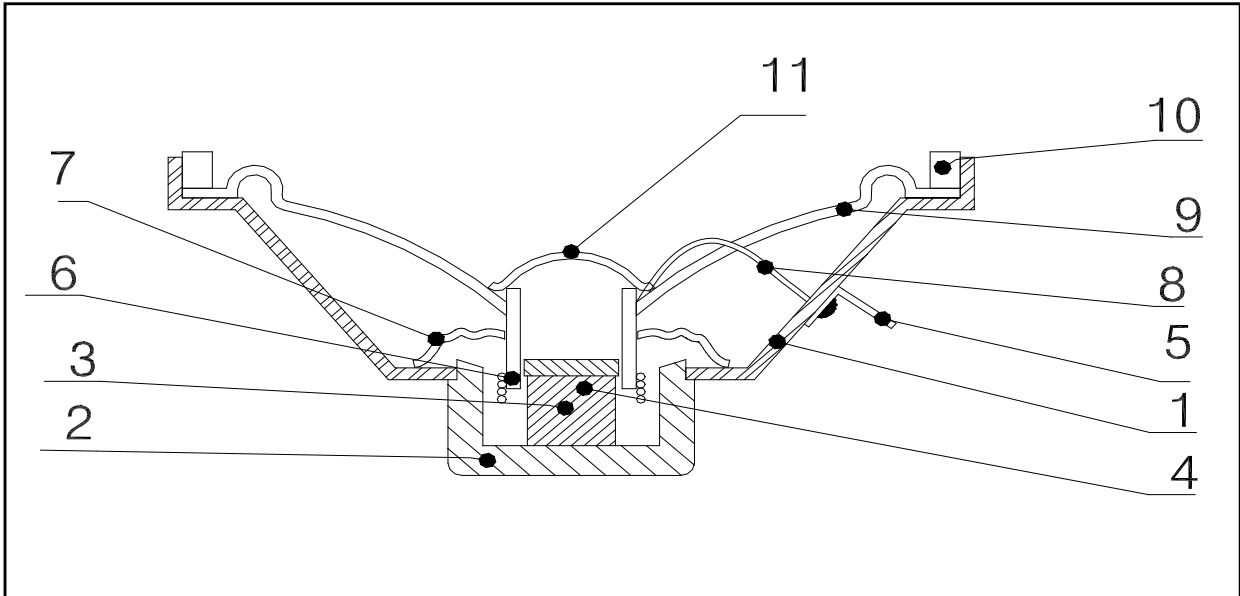
시험 항목 (ITEM)	시험 방법 및 조건 (Test method & condition)	기준 (Standard)
내습성 (Humidity test)	온도 40℃, 습도 95% 의 항온조에 96 Hrs 방치후 0.5 Hr 상온 자연 방치후 외관 및 동작상태를 확인한다. (Check the appearance and operation after leave under 40℃, 95% at machinery for 96 Hrs and room temperature for 0.5 Hr)	초기치 ± 20% (Initial value)
내한성 (Cold test)	온도 -20℃ 내한조에 96 Hr 방치후 0.5Hr 상온 자연 방치후 외관 및 동작에 이상이 없을 것. (Check the appearance and operation after leave under -20℃ at machinery for 96 Hr and room temperature for 0.5 Hr)	초기치 ± 20% (Initial value)
내열성 (Heat test)	온도 60℃±2℃상에 습도 95% 내열조에 96 Hr 방치후 0.5 Hr 상온 자연 방치후 외관 및 동작에 이상이 없을 것. (Check the appearance and operation after leave under 60℃±2℃, 95% at machinery for 96 Hr and room temperature for 0.5 Hr.)	초기치 ± 20% (Initial value)
염수분무시험 (Salt spray test)	염수 5%를 8시간 분무하고 16시간 방치하는 것을 1cycle 로 하여 3 cycle을 실시한 다음 깨끗한 물로 씻었을때 지워지지 않는 녹을 확인한다. (After repeating 3 cycle to spray 5% of brine for 8 Hr and leave for 16 Hr, wash with water and check reminded rust.)	
연속부하시험 (Load test)	White Noise 신호 JIS Filter 를 사용하여 RMS 전압에 맞추고, 96Hr 연속 시험후 상온에서 0.5 Hr 자연 방치후 동작시험을 하여 이상이 없을 것.(단선여부, Fo 변화 check) (After adjust White noise and JIS Filter signal to RMS voltage, Without any problem in operating after continual test for 96 Hr and room temperature for 0.5 Hr – Check for disconnection and Fo for change)	전기적 성능을 만족할 것. 시료수 : 5 pcs (Satisfy electrical performance) (Sample : 5 pcs)
열충격 시험 (Temperature cycling)	고온 85℃ 저온 -40℃ 로 온도 변화를 주어 30분씩 10회 실시하고 상온 0.5 Hr 자연방치후 동작시험을 하여 이상이 없을것. (One cycle shall consist of 30 minutes at 85℃ followed by 30 minutes at -40℃. Allow 30 minutes chamber transition time at +25℃ between temperature extremes total of 10 cycle Temperature (℃) 70℃ 25℃ -25℃ 20min 50min 70min 100min Diagram For 1 Cycle	초기치 ± 20% (Initial value)

APPROVAL SHEET

WOOJIN

Model No.	EB-07405-01	Item	SPEAKER - GEN
			PAPER CONE TYPE

8. 부품 구성표 (PART LIST)



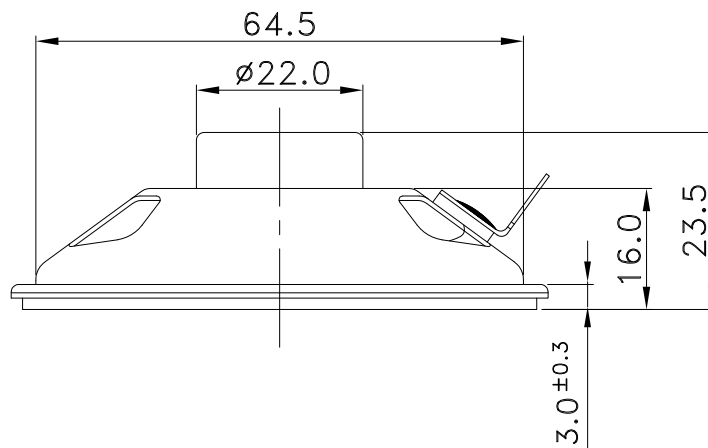
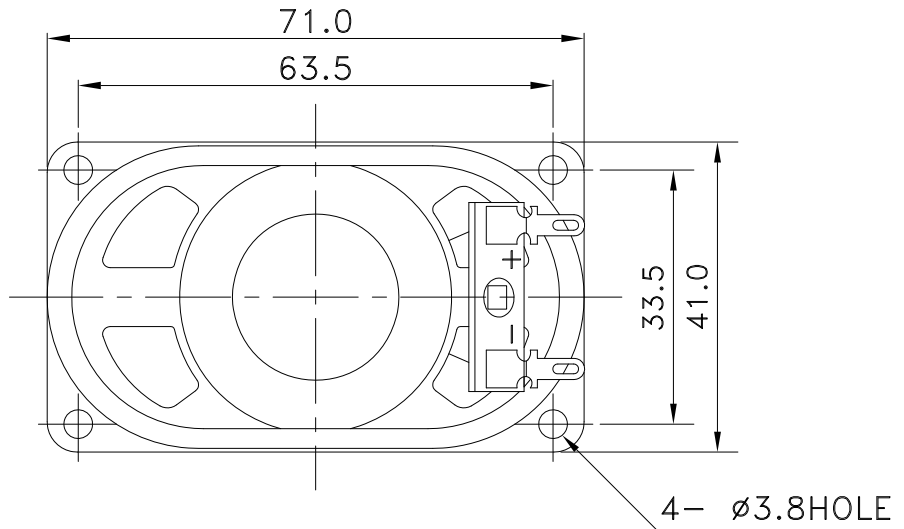
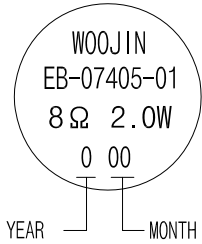
구분 (No)	품 명 (PART NAME)	수 량 (Q'TY)	비 고 (NOTE)
1	FRAME	1	BLACK 전착
2	YOKE	1	CR+3
3	MAGNET	1	
4	CENTER POLE	1	CR+3
5	TERMINAL	1	
6	VOICE COIL	1	
7	DAMPER	1	
8	LEAD WIRE	2	
9	CONE PAPER	1	
10	GASKET	1	
11	CHAMBER	1	
12			
13			
14			
15			
16			
17			
18			
19			
20			

APPROVAL SHEET

WOOJIN

Model No.	EB-07405-01	Item	SPEAKER-GEN
			PAPER CONE TYPE

MARKING



NOTE
1. RoHS

					SCALE	TOLERANCE	TITLE		
					1/1	±0.5	SPEAKER ASS'Y		
FINISH	②				UNIT	THIRD ANGLE PRO-J	DRAW	CHECK	APPRO
	①								
	③	新規作成	12.11.06	장현수	mm				
	MARK	REVISIONS	DATE	NAME					