

SIGNAL DISTRIBUTOR

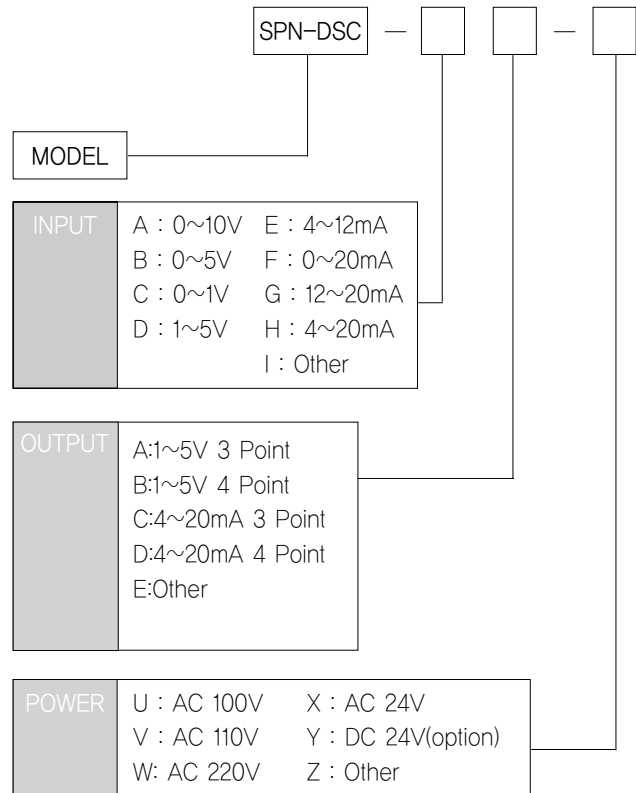
SPN-DSC



A converter is used to distribute DC signal in isolated condition.

- Isolation between control room and field instruments.
- 3 or 4 outputs are available from 1 input.
- Contains overvoltage protection circuit.
- Transformer isolation type.

MODEL & SUFFIX CODE SELECTION



GENERAL SPECIFICATIONS

Isolation/Type	Input to output to power/Transformer isolation type		
Power Supply	AC rating $\pm 10\%$, approx. 7VA DC rating $\pm 10\%$, (ripple 10%)200mA		
Accuracy	$\pm 0.1\%$ (Max)		
Temp Coefficient	$\pm 0.015\%$ / $^{\circ}\text{C}$ ($\pm 0.008\%$ / $^{\circ}\text{F}$)		
Linearity	$\pm 0.02\%$ F.S		
Insulation Resistance	Greater than 100M Ω with DC 500V		
Dielectric Strength	Input - Power	AC 2500V	1 minute
	Input - Output		
	Output 1 - Output 2		
	GND - Power		
Front Adjustments	Zero and Span $\pm 5\%$		
Overrange Output	approx. -10% ~ 110% at DC 1~5V		
Response Time	≤ 0.5 sec (0~90%)		
Operating Temperature/Humidity	-20~60 $^{\circ}\text{C}$ / 90%(N,C)		
Storage Temperature/Humidity	-20~80 $^{\circ}\text{C}$ / 95%(N,C)		
Dimensions	W81×H129×D138		
Case Material	Aluminum		
Weight	about 980g		
Mounting	Wall mounting		

SIGNAL CONVERTER SPN-DSC

INPUT & OUTPUT SPECIFICATIONS

Input Impedance

Input	Impedance
4~20mA	250Ω
0~20mA	250Ω
2~10mA	250Ω
1~5V	1MΩ(Min)
0~1V	1MΩ(Min)
0~10V	1MΩ(Min)

Output Load Resistance

Output	Out-1	Out-2	Out-3	Out-4	Remark
4 ~ 20mA	460Ω	460Ω	460Ω	460Ω	(Max)
0 ~ 20mA	460Ω	460Ω	460Ω	460Ω	(Max)
2 ~ 10mA	950Ω	950Ω	950Ω	950Ω	(Max)
1 ~ 5V	5000Ω	5000Ω	5000Ω <td 5000Ω	(Min)	
0 ~ 1V	1000Ω	1000Ω	1000Ω	1000Ω	(Min)

BLOCK DIAGRAM

