

HIGH/LOW SETTER

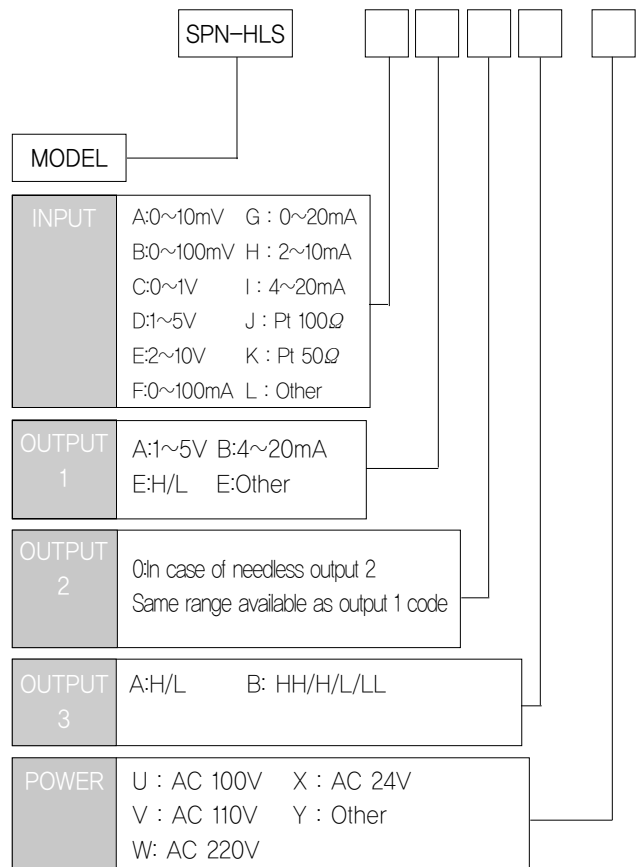
SPN-HLS



Providing alarm output signal when a input signal values are higher or lower than the desired setting values.

- Contains overvoltage protection circuit.
- FND display.
- Various alarm applications.
- High density mounting.
- Analog output.

MODEL & SUFFIX CODE SELECTION



GENERAL SPECIFICATIONS

Isolation/Type	Input to output to power / Transformer isolation type		
Power Supply	AC rating ±10%, approx 4VA(Analog output at 7.5VA)		
Accuracy	±0.15%(Max)		
Temp Coefficient	±0.015%, /°C(±0.008% / °F)		
Linearity	±0.02% F.S		
Insulation Resistance	Greater than 100MΩ with DC 500V		
Dielectric Strength	Input - Power	AC 2500V	1 minute
	Input - Output		
	Output - Output	AC 1000V	
	GND - Power		
Front Adjustments	Zero and Span ±5%		
Overrange Output	approx - 10% ~ 110% at DC 1~5V		
Response Time	0.5 sec (0~90%)		
Operating Temperature/Humidity	-20~60°C / 90%(N.C)		
Storage Temperature/Humidity	-20°C~80°C / 95%(N.C)		
Dimensions	W65×H129×D138(mm)		
Case Material	Aluminum(black)		
Weight	about 1000g		
Mounting	Wall mounting		

SIGNAL CONVERTER SPN-HLS

INPUT & OUTPUT SPECIFICATIONS

Input Impedance

Input	Impedance
4~20mA	250Ω
1~5V	1MΩ (Min)

Output Load Resistance

Output	2 Point			Remark
	1 Point Output	Output-1	Output-2	
4 ~ 20mA	700Ω	600Ω	350Ω	(Max)
1 ~ 5V	5kΩ	5kΩ	5kΩ	(Min)

Output Specification

voltage	DC 60V(Max) AC 125V(p-p)1A(Max)
Load Current	1A(Max)

BLOCK DIAGRAM

