

# CURRENT LOOP SUPPLY

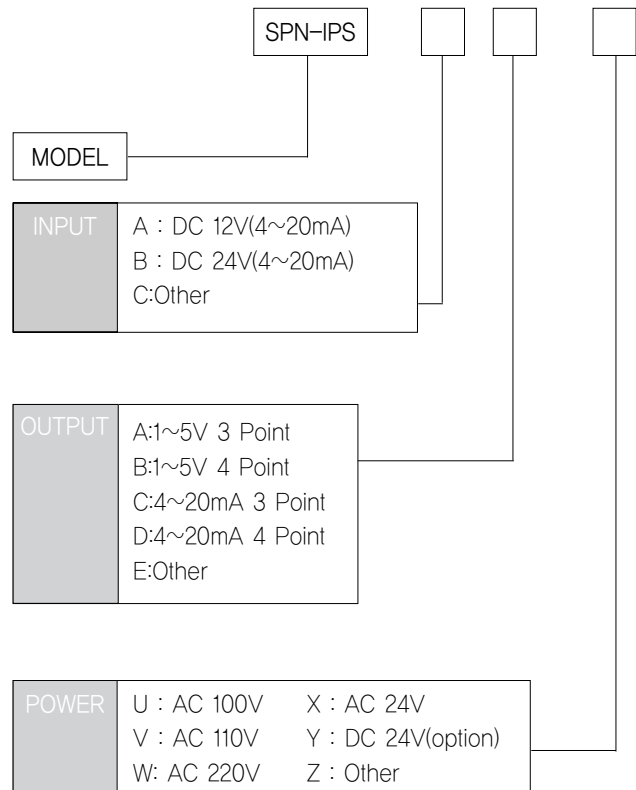
SPN-IPS



A converter is used to supply power to 2-wire current loop system transmitter and receives DC signal and provides isolated DC signal.

- Various 2-wire transmitters.
- Isolator application(4~20mA)
- 3 or 4 outputs are available from 1 input.
- Contains overvoltage protection circuit.
- Transformer isolation type.

## MODEL & SUFFIX CODE SELECTION



## GENERAL SPECIFICATIONS

Isolation/Type	Input to output to power/Transformer isolation type		
Power Supply	AC rating $\pm 10\%$ , approx. 3.5VA		
	DC rating $\pm 10\%$ , (ripple 10%)100mA		
Accuracy	$\pm 0.1\%$ (Max)		
Temp Coefficient	$\pm 0.015\%$ / $^{\circ}\text{C}$ ( $\pm 0.008\%$ / $^{\circ}\text{F}$ )		
Linearity	$\pm 0.02\%$ F.S		
Insulation Resistance	Greater than 100M $\Omega$ with DC 500V		
Dielectric Strength	Input - Power	AC 2500V	1 minute
	Input - Output		
	Output 1 - Output 2		
	GND - Power		
Front Adjustments	Zero and Span $\pm 5\%$		
Overrange Output	approx - 10% ~ 110% at DC 1~5V		
Response Time	0.5 sec (0~90%)		
Operating Temperature/Humidity	-20~60 $^{\circ}\text{C}$ / 90%(N,C)		
Storage Temperature/Humidity	-20~80 $^{\circ}\text{C}$ / 95%(N,C)		
Dimensions	W81xH129xD138(mm)		
Case Material	Aluminum		
Weight	about 980g		
Mounting	Wall mounting		

# SIGNAL CONVERTER SPN-IPS

## INPUT & OUTPUT SPECIFICATIONS

### Input Impedance

Specification	Report
Supply range	24~28V(with no load)
Current rating	22mA(Max)
Current limited	30mA(Max)
Input impedance	250Ω

### Output Load Resistance

Output	Out-1	Out-2	Out-3	Out-4	Remark
4 ~ 20mA	460Ω	460Ω	460Ω	460Ω	(Max)
0 ~ 20mA	460Ω	460Ω	460Ω	460Ω	(Max)
2 ~ 10mA	950Ω	950Ω	950Ω	950Ω	(Max)
1 ~ 5V	5000Ω	5000Ω	5000Ω	5000Ω	(Min)
0 ~ 1V	1000Ω	1000Ω	1000Ω	1000Ω	(Min)

## BLOCK DIAGRAM

