

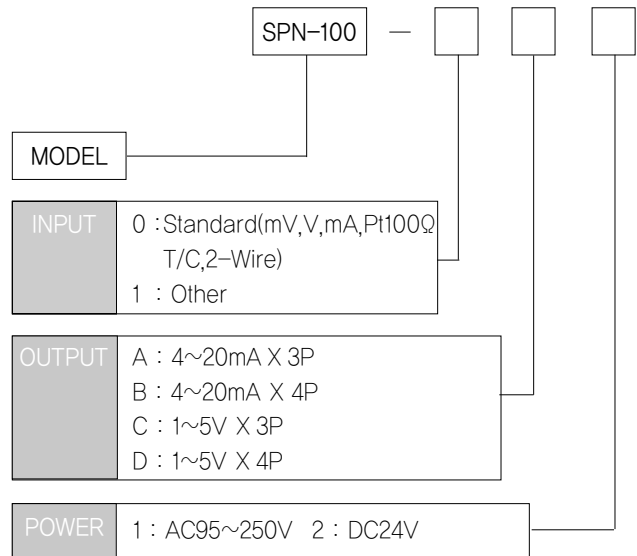
PROGRAMMABLE CONVERTER

SPN-100



- Universal input Mode (mA,mV,V,T/C,RTD)
- It is realized high effectiveness and high accuracy use by 16bit AD converter
- It contains peak hold function so possible to use various application
- Contains burnout function that give high output and display warning message when sensor line was disconnected by accident or other reasons
- Isolated current output also possible with scaling function

MODEL & SUFFIX CODE SELECTION



GENERAL SPECIFICATIONS

Power Supply	DC 24V Type AC 24V Type AC Type	DC18V ~ 30V,(ripple 10%) 80mA AC12V ~ 25V(50~60Hz), 3VA AC95 ~ 250V / 50~60Hz
Display Accuracy	-9999~9999, 7Segment 4Digit ±0.1% Full Scale, ±1 Digit(25°C ±5°C)	
Input Impedance	V Type Pt100Q, T/C Type	400kΩ 1MΩ
Sampling cycle	V Type Pt100Q, T/C Type	200ms 400ms
CMRR	140dB or More	
NMRR	50dB or More	
Sensor Power	DC24V / 30mA (±5% or less)	
Temp Coefficient	±0.015% / °C	
Isolation Resistance	Greater than 100MΩ with DC500V	
Dielectric Strength	Input - Power Output - Power GND - Power	AC2000V AC1000V 1 minute
Operating Temperature / Humidity	-20~60°C / 90% (N.C)	
Storage Temperature / Humidity	-20~80°C / 95% (N.C)	
Dimensions	W50 X H110 X D138(mm)	
Case Material	ABS Resin (black)	
Weight	about 980g	
Mounting	Wall mounting	

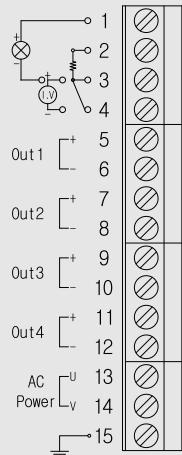
MULTI RANGE INPUT

Sensor		Range of Input and Scale	MIN Span	Message
T/C	S	0~1750°C	300.0°C	tC-S
	R (PR13%)	0~1750°C	300.0°C	tC-r
	K (CA)	-200~1350°C	300.0°C	tC-k
	E (CRC)	-200~700°C	200.0°C	tC-e
	J (IC)	-200~800°C	200.0°C	tC-j
	T(CC)	-200~400°C	50.0°C	tC-t
RTD	Pt100Q	-200~800°C	50.0°C	Pt
	JPt100Q	-200~500°C	50.0°C	IPt
	mA	0~20mA(-9999~9999)		mA
	mV	-50~50mV(-9999~9999)		mV
	V	-10~10V(-9999~9999)		V
	2-Wire	4~20mA(-9999~9999)		2-w

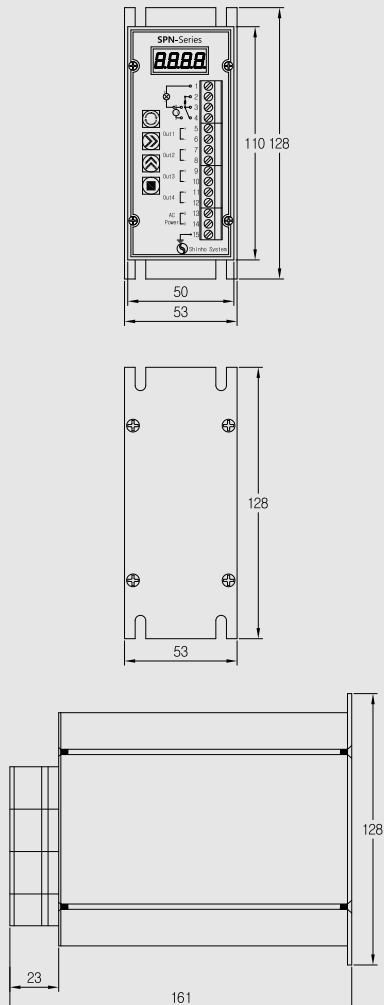
SIGNAL TRANSMITTER

SPN-Series

CONNECTION EXAMPLE



DIMENSIONS



PROGRAM SETTING

