

PT TRANSMITTER

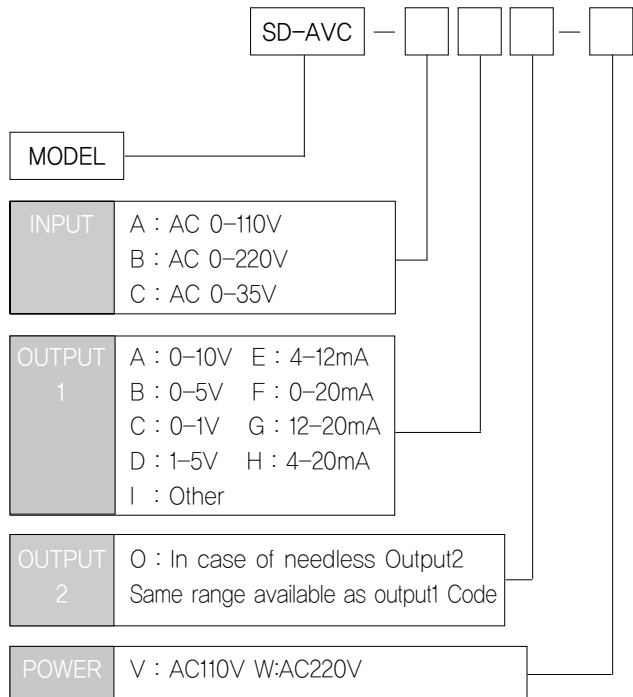
SD-AVC



Converting an alternating voltage into a standard process signal

- Monitoring abnormal voltage drops for detecting over load.
- Measuring the rotating or moving speed of multi-speed motors, belt conveyers, and metering pumps.
- True R.M.S sensing
- 1 or 2 Outputs are available from 1 input
- Contains overvoltage protection circuit
- Transformer isolation type

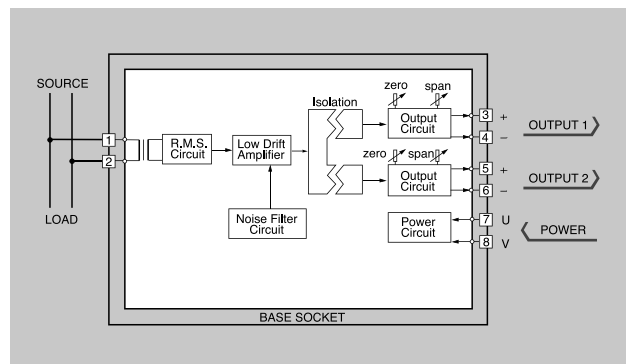
MODEL & SUFFIX CODE SELECTION



GENERAL SPECIFICATIONS

Input	AC Voltage(PT)
Isolation type	Transformer Isolation type
Accuracy	± 0.35%
Temp Coefficient	±0.015% / °C
Linearity	±0.02% F.S
Isolation Resistance	Greater then 100MΩ with DC500V
Dielectric Strength	Input-Power AC2000V
	Output-Power AC1000V 1minute
	GND-Power
Front Adjustments	Zero and Span ± 5%
Overrange Output	approx-10%~110% at DC 1-5V
Response Time	≤ 0.5sec (0-90%)
Operating Temperature / Humidity	-20~60°C / 90% (N.C)
Storage Temperature / Humidity	-20~80°C / 95% (N.C)
Dimensions	W34*H105*D100 (mm)
Case Material	ABS Resin (black)
Weight	about 200g
Mounting	DIN Rail mountin

BLOCK DIAGRAM



DIMENSIONS (Unit:mm)

