

# CURRENT LOOP SUPPLY

SD-IPS



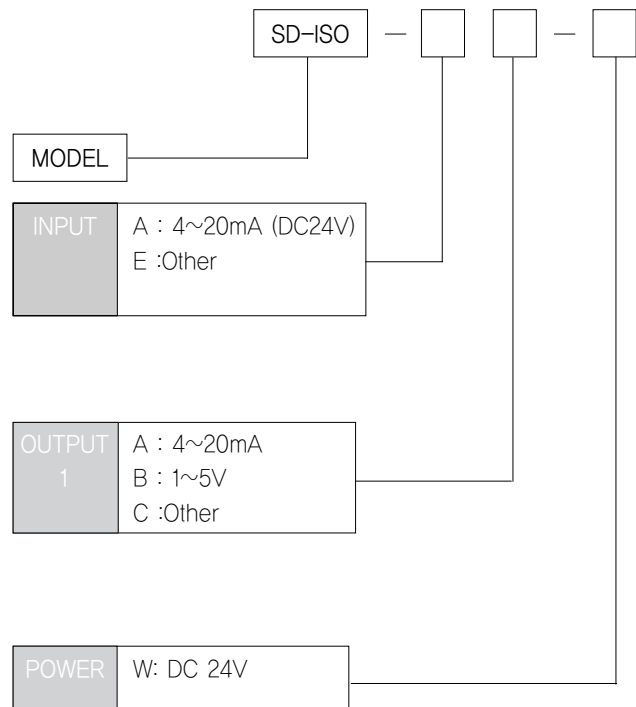
A converter is used to transmitter DC signal in isolated condition.

- Isolation between control room and field instrumentation.
- 1 or 2 outputs are available from 1 input.
- Contains overvoltage protection circuit.
- Transformer isolation type.

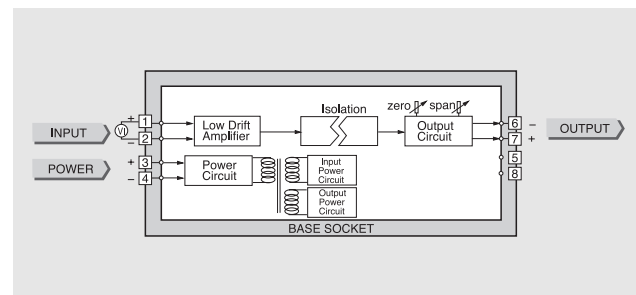
## GENERAL SPECIFICATIONS

Power Supply	DC 18V~30V(Ripple 10%), 100mA		
Isolation type	Input to Output to Power Transformer Isolation type		
Accuracy	±0.1%(Max)		
Temp Coefficient	±0.015%/°C		
Linearity	±0.02% F.S		
Insulation Resistance	Greater than 100M Ω with DC 500V		
Dielectric Strength	Input - Power	AC 2000V	1 minute
	Output1 - Power	AC 1000V	
	GND - Power	AC 1000V	
Front Adjustments	Zero and Span ±5%		
Overrange Output	approx -10%~110% at DC 1~5V		
Response Time	0.5 sec (0~90%)		
Operating Temperature/Humidity	-20~60°C/90%(N.C)		
Storage Temperature/Humidity	-20°C~80°C/95%(N.C)		
Dimensions	W34×H105×D100(mm)		
Case Material	ABS Resin(Black or Grey)		
Weight	about 200g		
Mounting	Din Rail mounting		

## MODEL & SUFFIX CODE SELECTION



## BLOCK DIAGRAM



## DIMENSIONS(unit :mm)

