

2-Wire SIGNAL CONVERTER(ISOLATOR)

SAN-IPS



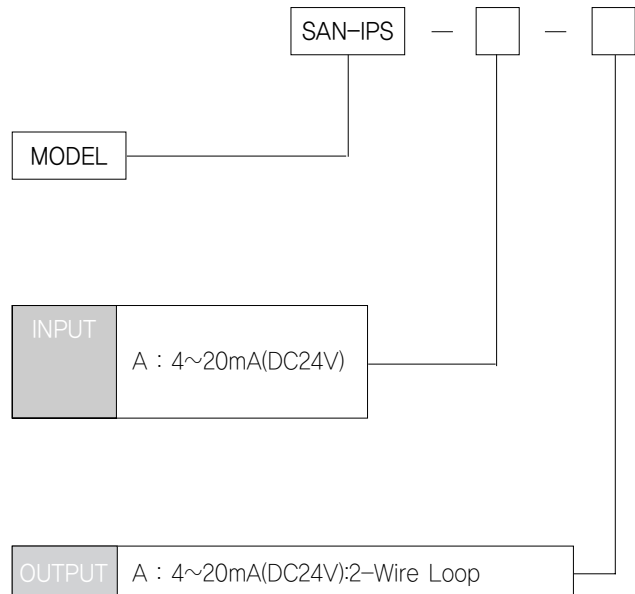
SAN-Series is a kinds of 2-wire rail mounting transmitter that receive Field sensor input and provide 2-wire current loop 4~20mA.

- Isolation between control room and field instrumentation.
- Contains overvoltage protection circuit.
- Transformer isolation type.
- DIN rail mounting.

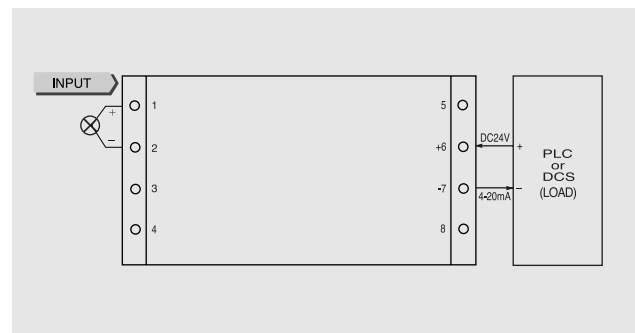
GENERAL SPECIFICATIONS

Input signal	mA
Power Supply	DC18V~30V, (ripple 10%)
Isolation	Power to Input, Output /Transformer Isolation type
Accuracy	±0.15%(max)
Temp Coefficient	±0.015%/°C
Linearity	±0.02% F.S
Insulation Resistance	Greater than 100MΩ with DC500V
Front Adjustments	Zero and Span ±10%~20%
Overrange Output	approx-10%~120%
Response Time	≤0.5 sec(0~90%)
Operating Temperature/Humidity	-20~60°C/90%(N.C)
Storage Temperature/Humidity	-20~80°C/95%(N.C)
Dimensions	W23×H75×D110(mm)
Caes Material	ABS Resin(White)
Weight	About 140g
Mounting	Rail mounting type

MODEL & SUFFIX CODE SELECTION



TERMINAL CONNECTION



DIMENSIONS (scale:mm)

