

2-Wire SIGNAL CONVERTER(RTD/I)

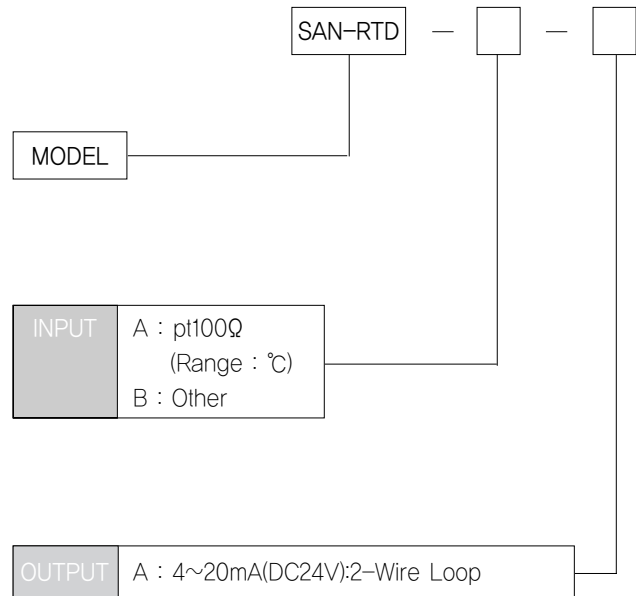
SAN-RTD



SAN-Series is a kinds of 2-wire rail mounting transmitter that receive Field sensor input and provide 2-wire current loop 4~20mA.

- Isolation between control room and field instrumentation.
- Contains overvoltage protection circuit.
- Transformer isolation type.
- DIN rail mounting.

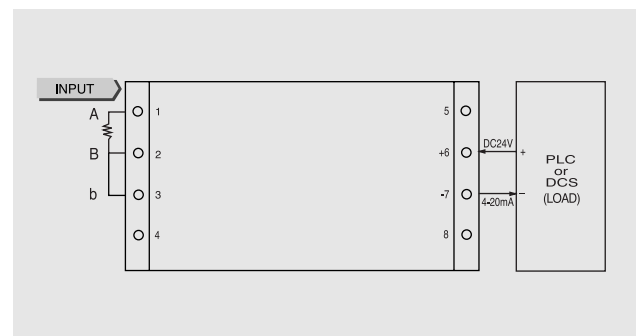
MODEL & SUFFIX CODE SELECTION



GENERAL SPECIFICATIONS

| | |
|--------------------------------|---|
| Input signal | Pt100Ω , other |
| Power Supply | DC18V~30V, (ripple 10%) |
| Isolation | Power to Input, Output /Transformer Isolation type |
| Accuracy | ±0.15%(max) |
| Temp Coefficient | ±0.015%/°C |
| Linearity | ±0.02% F.S |
| Insulation Resistance | Greater than 100MΩwith DC500V |
| Front Adjustments | Zero and Span ±10%~20% |
| Overrange Output | approx-10%~120% |
| Response Time | ≤0.5 sec(0~90%) |
| Operating Temperature/Humidity | -20~60°C/90%(N.C) |
| Storage Temperature/Humidity | -20~80°C/95%(N.C) |
| Dimensions | W23×H75×D110(mm) |
| Caes Material | ABS Resin(White) |
| Weight | About 140g |
| Mounting | Rail mounting type |

TERMINAL CONNECTION



DIMENSIONS (scale:mm)

