

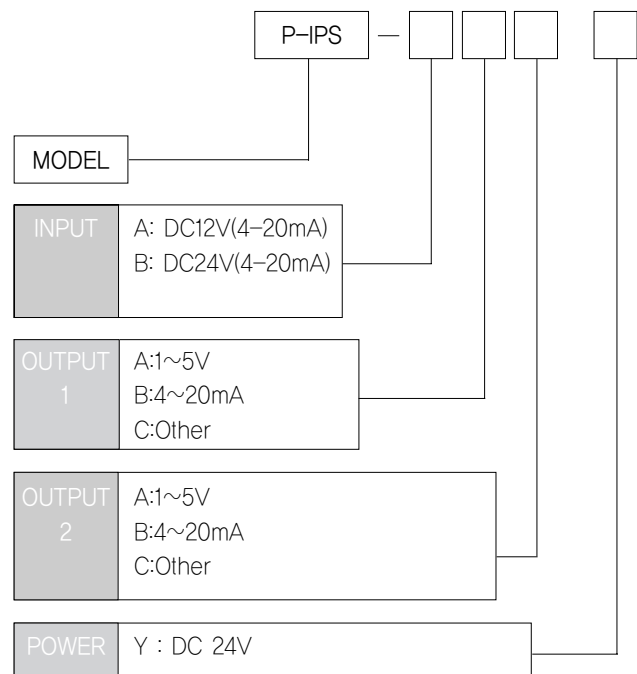
# CURRENT LOOP SUPPLY

P-IPS



- A converter is used to supplies power to 2-wire current loop system transmitter and receives DC signal and provides isolated DC signal
- Various 2-wire transmitter
  - isolator application(4~20mADC)
  - 1 or 2 outputs are available from 1 input
  - Contains overvoltage protection circuit
  - Transforomer isolation type
  - Slim wide 18mm

## MODEL & SUFFIX CODE SELECTION



## GENERAL SPECIFICATIONS

|                                |   |
|--------------------------------|---|
| Isolation/Type                 | Input to output to power/Transformer isolation type |
| Power Supply                   | DC24V $\pm$ 2V, (ripple 10%) 100mA(full load)       |
| Accuracy                       | $\pm$ 0.1%(Max)                                     |
| Temp Coefficient               | $\pm$ 0.015%  |
| Linearity                      | $\pm$ 0.02% F.S                                     |
| Insulation Resistance          | Greater than 100M $\Omega$ with DC 500V             |
| Front Adjustments              | Zero and Span $\pm$ 5%                              |
| Overrange Output               | approx.-10% ~ 110% at DC 1~5V                       |
| Response Time                  | $\leq$ 0.5 sec (0~90%)                              |
| Operating Temperature/Humidity | 0~60°C / 90%(N.C)                                   |
| Storage Temperature/Humidity   | -20~80°C / 95%(N.C)                                 |
| Dimensions                     | W18xH100xD112(mm)                                   |
| Case Material                  | ABS Resin (black)                                   |
| Weight                         | about 200g  |
| Mounting                       | Rail mounting Type                                  |

### INPUT & OUTPUT SPECIFICATIONS

#### Input Impedance

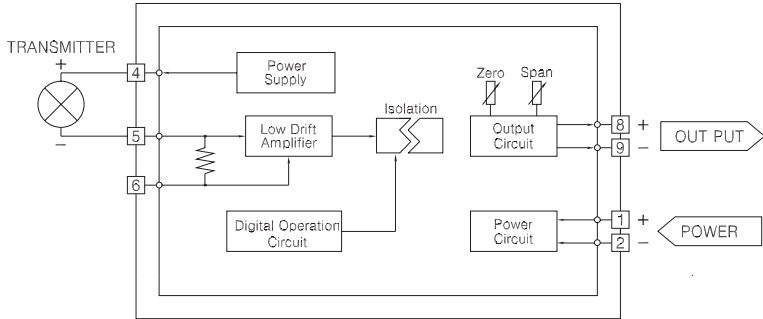
| Specification   | Report                  |
|-----------------|-------------------------|
| supply range    | 24V ~ 26V(with no load) |
| Current range   | 22mA(Max)               |
| Current limiter | 30mA(Max)               |
| Input impedance | 250Ω                    |

#### Output Load Resistance

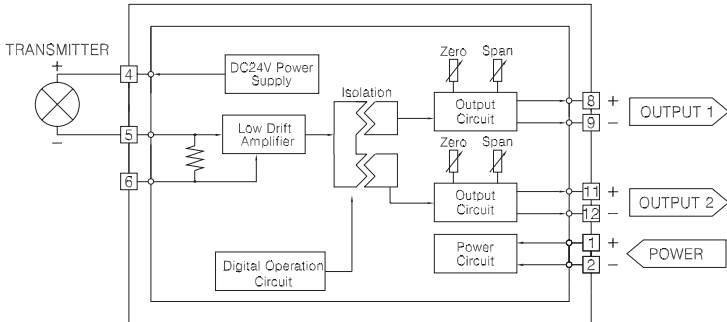
| Output   | 1 Point | 2 Point  |          | Remark |
|----------|---------|----------|----------|--------|
|          | Output  | Output-1 | Output-2 |        |
| 4 ~ 20mA | 700Ω    | 600Ω     | 350Ω     | (Max)  |
| 0 ~ 20mA | 700Ω    | 600Ω     | 350Ω     | (Max)  |
| 2 ~ 10mA | 1200Ω   | 1200Ω    | 700Ω     | (Max)  |
| 1 ~ 5V   | 5000Ω   | 5000Ω    | 5000Ω    | (Min)  |
| 0 ~ 1V   | 1000Ω   | 1000Ω    | 1000Ω    | (Min)  |

### BLOCK DIAGRAM

#### 1 Point Output



#### 2 Point Output



### DIMENSIONS (unit:mm)

