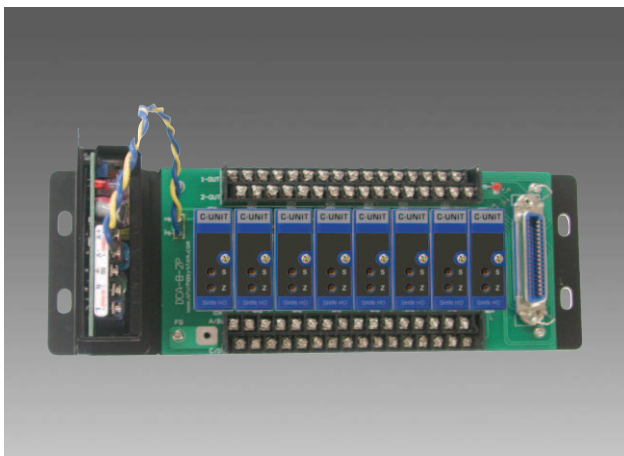
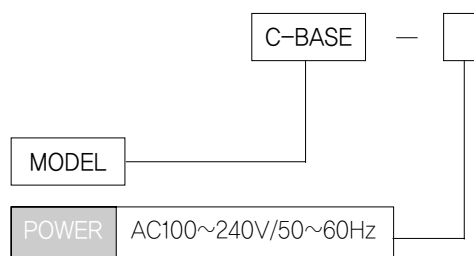


INSTALLATION BASE

C-BASE



MODEL & SUFFIX CODE SELECTION

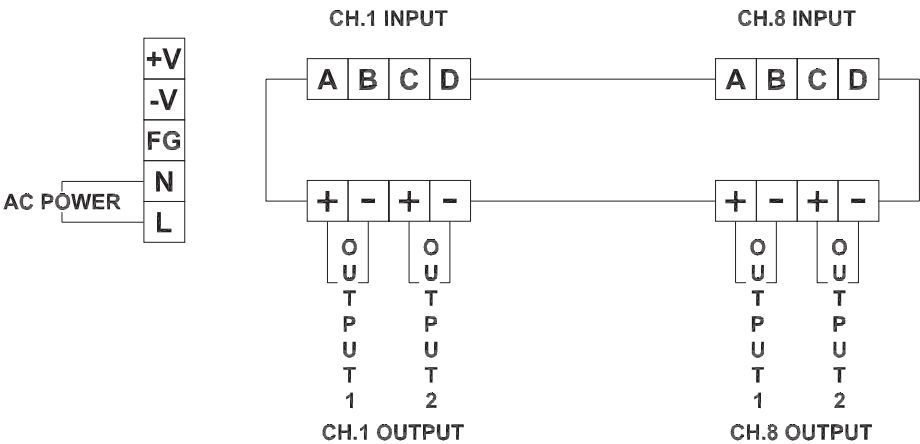


- Holding up to 8 modules of C-Unit series signal converter
- Power supplied through printed wiring on the base
- Saving wiring work within an instrumentation panel

GENERAL SPECIFICATIONS

CAPACITY	8 POSITIONS		
CONNECTION	M3.5 Screw terminals		
Power Supply	AC RATING $\pm 10\%$ (ripple 1% MAX) 40W		
Dielectric Strength	Input – Power	AC 2500V	1 minute
	Input – Output		
	Output 1	AC 1000V	
	Output 2		
GND – Power			
Insulation Resistance	Greater than 100M Ω with DC500V		
Operating Temperature/Humidity	-20 ~ 60°C/90%(N.C)		
Storage Temperature/Humidity	-20 ~ 80°C/95%(N.C)		
Dimensions	W279×H94×D111(mm)		
Case Material	STEAL(BLACK)		
Weight	700g		
Mounting	SURFACE		

CONNECTION DIAGRAM



Dimensions (unit: mm)

