

POTENTIOMETER TRANSMITTER

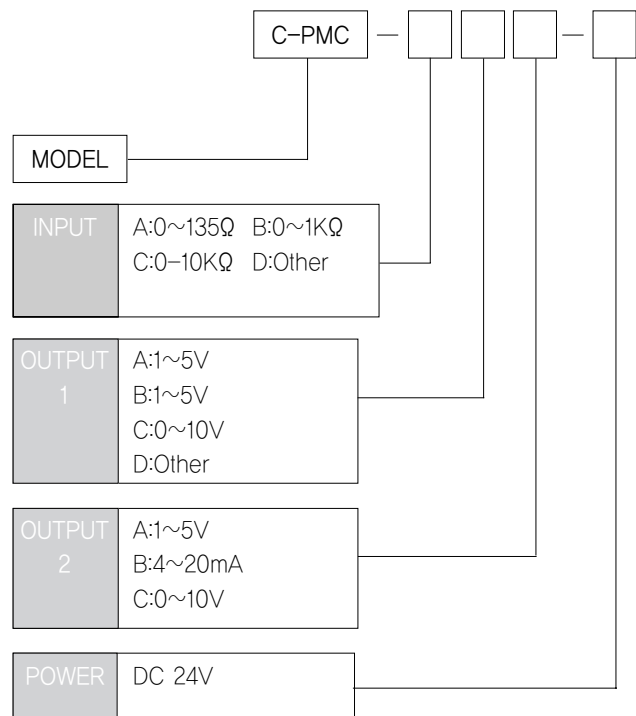
C-PMC



A Converter is designed for converting the input signal that receives from potentiometers sensor into process signal.

- Tank leveling.
- Positioning.
- 1 or 2 outputs are available from 1 input.
- Contains overvoltage protection circuit.
- Transformer isolation type.

MODEL & SUFFIX CODE SELECTION



GENERAL SPECIFICATIONS

Isolation	Input to output to power/Transformer isolation
Power Supply	24VDC ±10%, (ripple 10% max)80mA
Accuracy	±0.15%(Max)
Temp Coefficient	±0.015% / °C(±0.008%/°F)
Linearity	±0.02% F.S
Insulation Resistance	Greater than 100MΩ with DC 500V
Front Adjustments	Zero and Span ±5%
Overrange Output	approx. -10% ~ 110% at DC 1~5V
Response Time	≤0.5 sec (0~90%)
Operating Temperature/Humidity	-20~60°C / 90%(N.C)
Storage Temperature/Humidity	-20~80°C / 95%(N.C)
Dimensions	W18xH50xD77.5(mm)
Case Material	ABS Resin (blue)
Weight	75g
Mounting	Screw type

INPUT & OUTPUT SPECIFICATIONS

Input Impedance

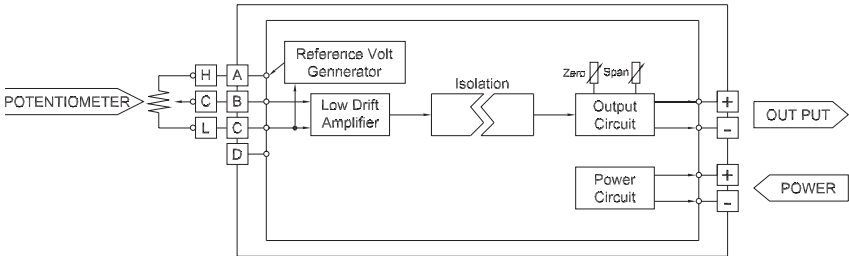
Specification	Report
Excitation(135Ω)	DC 0,5V
Excitation(135~1kΩ)	DC 2,5V

Output Load Resistance

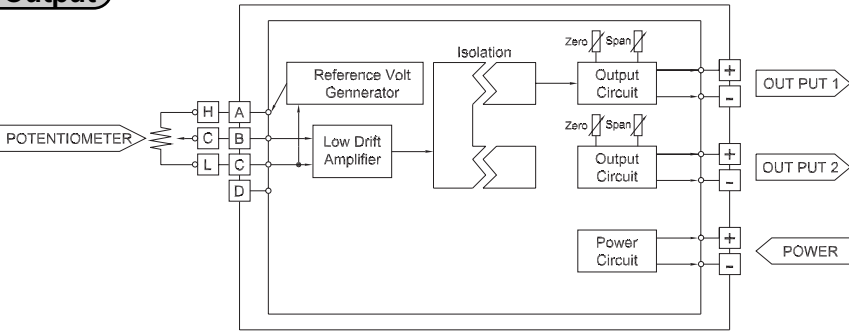
Output	1 Point	2 Point		Remark
	Output	Output-1	Output-2	
4 ~ 20mA	700Ω	600Ω	350Ω	(Max)
0 ~ 20mA	700Ω	600Ω	350Ω	(Max)
2 ~ 10mA	1200Ω	1200Ω	700Ω	(Max)
1 ~ 5V	5000Ω	5000Ω	5000Ω	(Min)
0 ~1V	1000Ω	1000Ω	1000Ω	(Min)

BLOCK DIAGRAM

1 Point Output



2 Point Output



Dimensions (unit: mm)

