

19 INCH RACK-TYPE

SRN – Series



RACK-MOUNTED SIGNAL CONVERTER

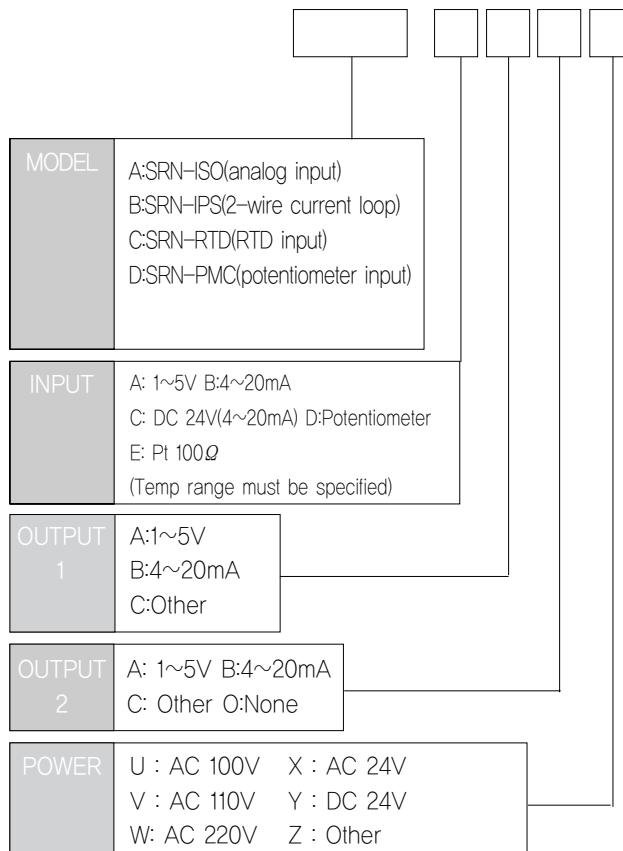
Introduction

SRN series is a converter that accepts a signal or sensor input and provide one or two independent and isolated DC outputs.

Information

- Isolation between control room and field instrumentation.
- 1 or 2 outputs are available from 1 input
- Contains overvoltage protection circuit.
- Transformer isolation type.
- 19" Rack Mounting

MODEL & SUFFIX CODE SELECTION



GENERAL SPECIFICATIONS

PARTICULAR	REPORT		
Capacity	10 positions		
Isoation/Type	Input to output to power/Transformer isolation type		
Power Supply	AC rating $\pm 10\%$, approx. 3.5VA DC rating $\pm 10\%$, (ripple 10%)100mA		
Accuracy	$\pm 0.15\%$ (Max) except RTD $\pm 0.25\%$		
Temp Coefficient	$\pm 0.015\%$ / °C($\pm 0.008\%$ /°F)		
Linearity	$\pm 0.02\%$ F.S		
Insulation Resistance	Greater than 100MΩ with DC 500V		
Dielectric Strength	Input – Power	AC 2500V	1 minute
	Input – Output		
	Output 1 – Output 2	AC 1000V	
	GND – Power		
Front Adjustments	Zero and Span $\pm 5\%$		
Overrange Output	approx. $-10\% \sim 110\%$ at DC 1~5V		
Response Time	less than 0.5 sec (0~90%)		
Operating Temperature/Humidity	$-20 \sim 60^\circ\text{C}$ / 90%(N.C)		
Storage Temperature/Humidity	$-20 \sim 80^\circ\text{C}$ / 95%(N.C)		
Case Material	Aluminum(silver)		
Weight	about 5kg		
Mounting	Wall & Rack Panel mounting		

SIGNAL TRANSMITTER SRN-SERIES

INPUT & OUTPUT SPECIFICATIONS

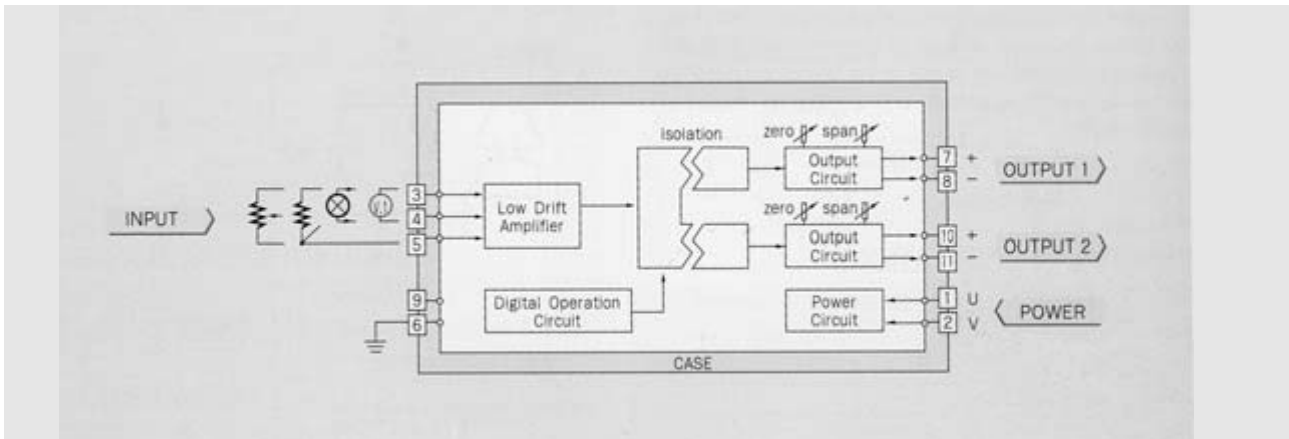
Input Impedance

SIGNAL		Im Pedance
1~5V 4 ~20mA	Input impedance	1M Ω (Min) 250 Ω
2-Wire Current loop	supply range	DC 24V~28V(no load)
	Current rating current limited	22mA(Max) 30mA(Max)
	RTD(Pt 100 Ω)	Sensing current
	Usable range	-200 $^{\circ}$ C ~ 600 $^{\circ}$ C(-328 $^{\circ}$ F~1112 $^{\circ}$ F)
Potentiometer	Max resistance	100 Ω ~10K Ω

Output Load Resistance

SIGNAL	1 Point	2 Point		Remark
	Output	Output-1	Output-2	
4 ~ 20mA	700 Ω	600 Ω	350 Ω	(Max)
1 ~ 5V	5k Ω	5k Ω	5k Ω	(Min)

BLOCK DIAGRAM



DIMENSIONS(SCALE : mm)

