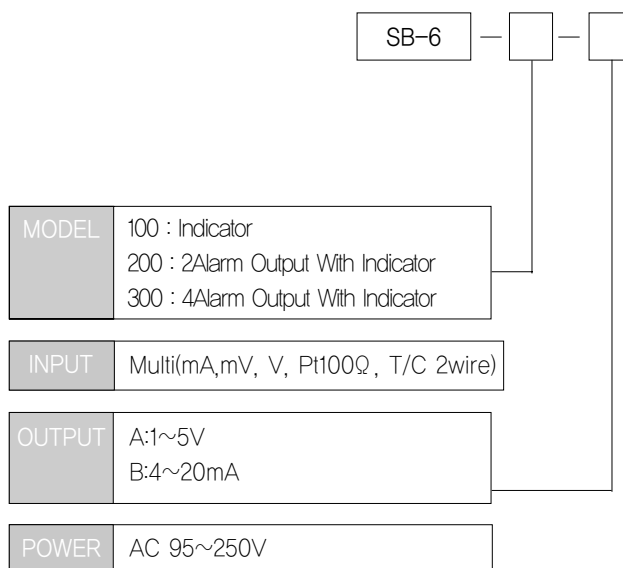


BAR-GRAPHIC INDICATOR WITH ALARM

SB-6000 SERIES



MODEL & SUFFIX CODE SELECTION



INFORMATION

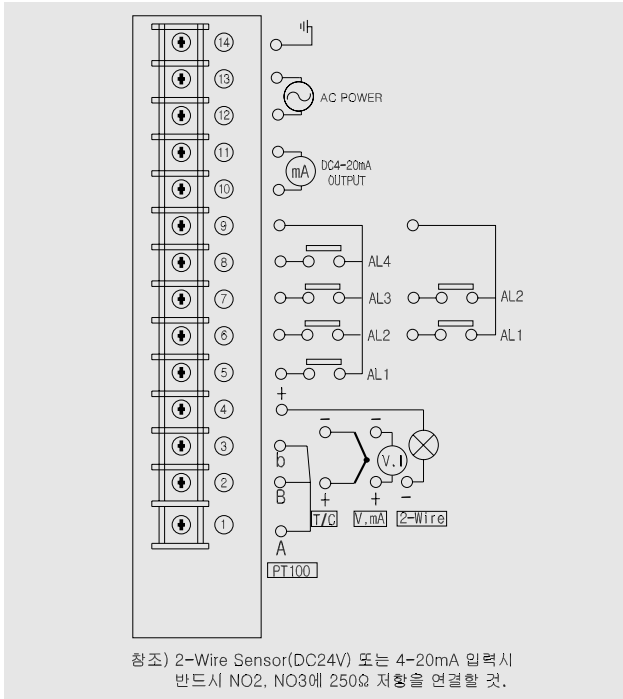
- This instrument adopt a SMPS, so you can use of the any power without power selection S/W operation.
- Operator can change the FND scale freely.(FND scale function)
- Alarm dead band function.
- Self-diagnosis error message display.
- Wide angle view.
- 2 or 4 point Alarm (HH/H, H/L, LL/L)(HH/H/L/LL)

GENERAL SPECIFICATIONS

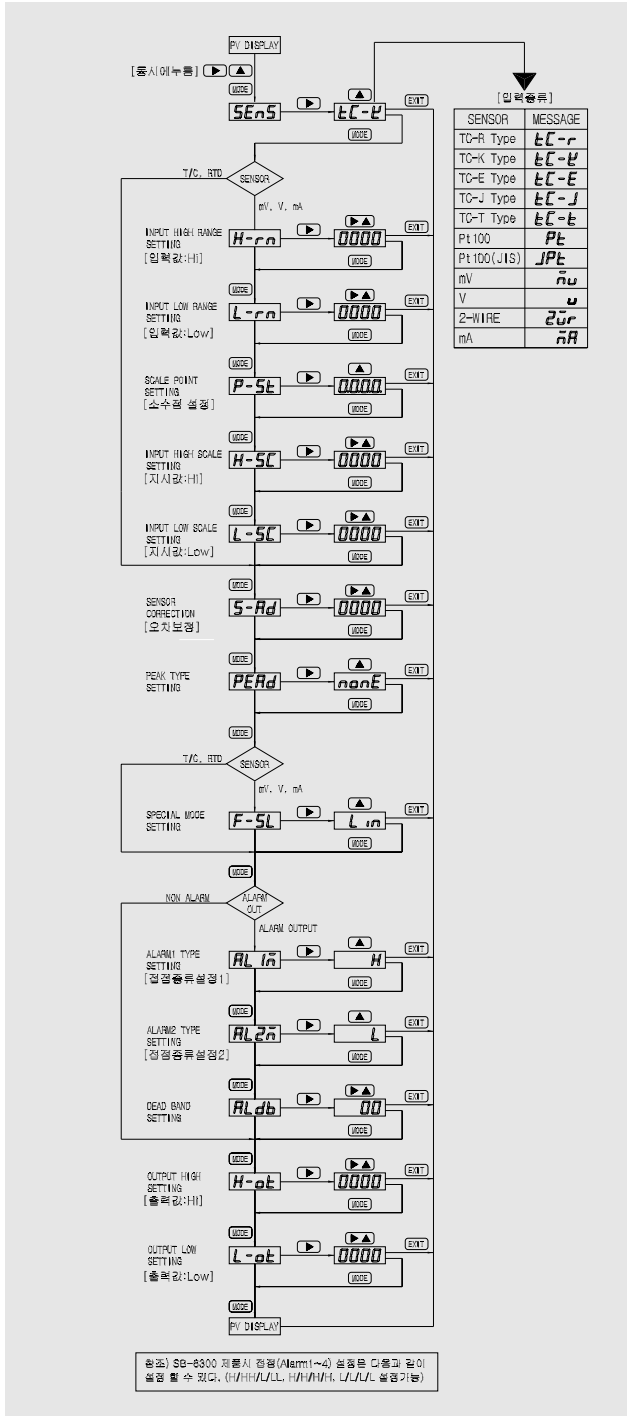
Power Supply	AC 95V~250V 50~60Hz, ±3Hz, 6VA	
Measurement Accuracy	±0.15% / ±1 digit, BAR ±1%	
Display/Indicator	Bar-Cell digit	101 dot 4digit
Scaling Range	-999~9999 digit	
Linearity	0.05% of F.S	
Input Impedance	Current Voltage	250Ω 200KΩ or more
Input Sampling Periode	100msec	
Alarm	2 or 4 Alarm (option)	
Temp Coefficient	±0.02% / °C (±0.008% / °F)	
Operating Temperature/Humidity	-20~60°C / 30~90%(N.C)	
Storage Temperature/Humidity	-20~80°C / 0%~95%(N.C)	
Insulation Resistance	Greater then 100MΩ with AC 500V	
External Dimensions	36(W)×144(H)×169.5(D)mm	
Case Material	ABS Resin(black)	
Weight	about 500g	
Mounting	Panel mounting Type	

INDICATOR SB-6000 SERIES

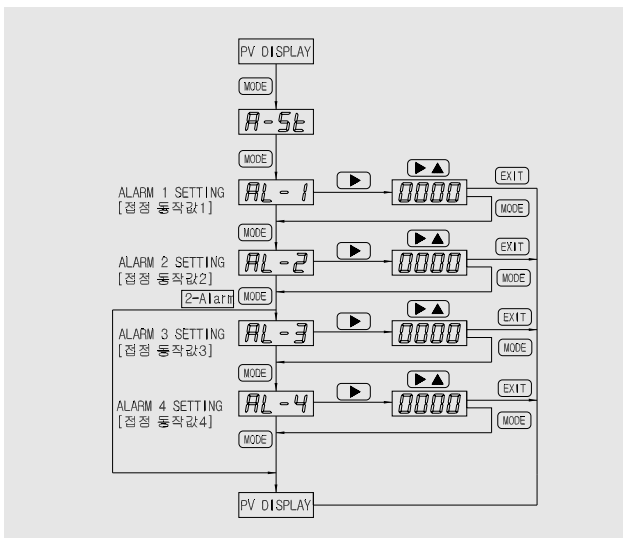
CONNECTION EXAMPLE



CONNECTION EXAMPLE



PROGRAM CHART



DIMENSIONS (unit : mm)

