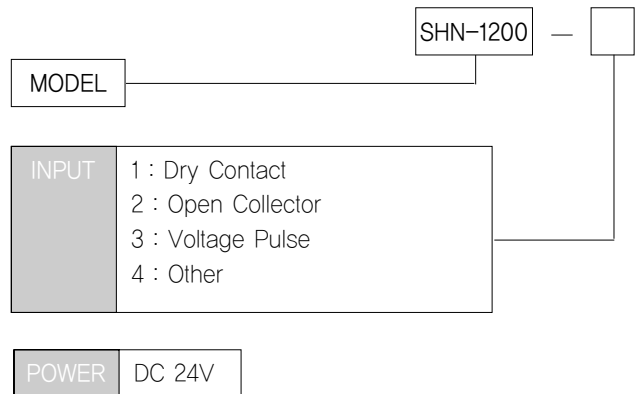


TOTAL COUNTER (MOSAIC TYPE)

SHN-1200



MODEL & SUFFIX CODE SELECTION



SHN-1200 is a graphic counter that is easy to installation by miniaturize and light weight.

- it is also contains back up function; it is memorized the indication values of power failure before state.
- Transformer isolation type.

GENERAL SPECIFICATIONS

Input	Pulse
Power Supply	DC24V
Display	7 Segment & 6 Digit
Scale	999999 Count
Input Impedance	62K Ω
Frequency Range	2KHz(Max)
Open Collector Sensing	DC 12V at 3mA
Pulse Amplitude	500mV(p-p) ~ 50V(p-p)
Duty Ratio	10~90%
Operating Temperature/Humidity	-20~60°C/90%(NC)
Dimensions	W75×H25×D108(mm)
Case Material	ABS Resin(black)
Weight	About 220g
Mounting	Panel (Graphic Panel)Mounting Type)

CONNECTION EXAMPLE



DIMENSIONS (Unit : mm)

