

TOTAL COUNTER

SHN-2000



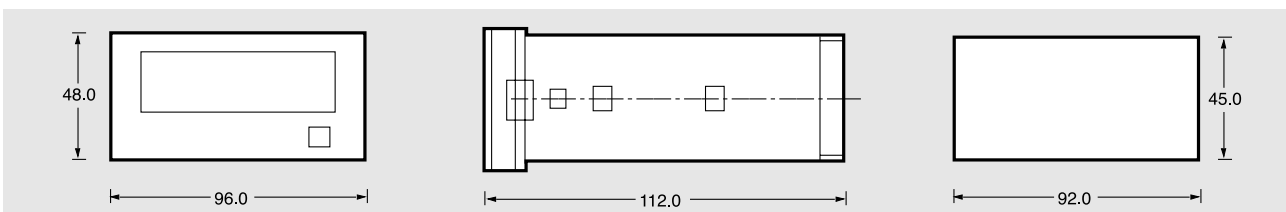
SHN-2000 accepts Pulse and totalize the input values in isolated condition.

- It is also contains back up function; it is memorize the indication values of power failure before state.
- External reset terminal is placed at back side of unit.
- To easy to read, taking high bright red FND.
- output 1:1, 10:1, 100:1 pulse

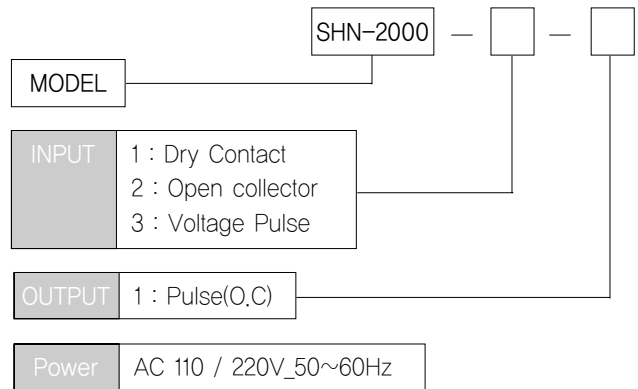
GENERAL SPECIFICATIONS

Input	Pulse
Isolation	Input to display to power
Power Supply	AC 110/220V_50~60Hz
Display	7 Segment & 6 Digit
Input Impedance	10kΩ
Frequency Range	2KHz(Max)
Insulation Resistance	Greater than 100MΩ with DC 500V
Dielectric Strength	Input-Power GND-Power
Open Collector Sensing	DC 12V at 3mA
Pulse Amplitude	500mV(p-p) ~ 50V(p-p)
Duty Ratio	10~90%
Operating Temperature/Humidity	-20~50°C / 90%(NC)
Dimensions	W96×H48×D112(mm)
Case Material	ABS Resin (white)
Weight	about 450g
Mounting	Panel MountingType

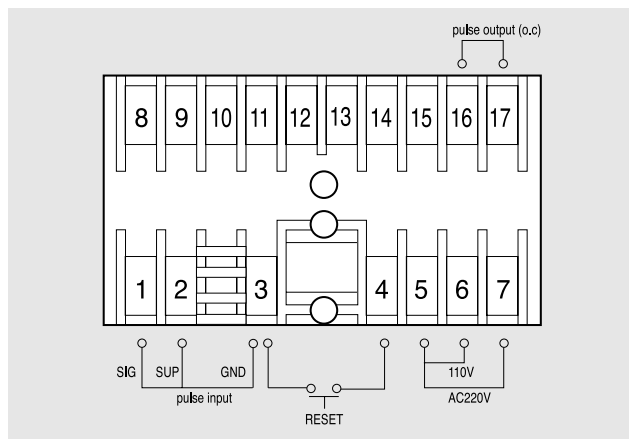
DIMENSIONS (Unit : mm)



MODEL & SUFFIX CODE SELECTION



CONNECTION EXAMPLE



BLOCK DIAGRAM

