

LARGE DISPLAY COUNTER

SHN-2900

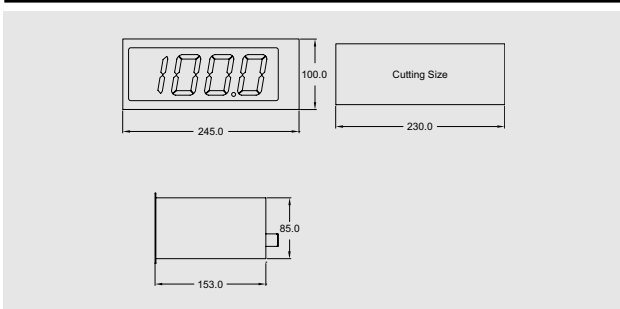


- SHN-2900 accepts Pulse and totalize the input values in isolated condition
- It is also contains back up function;
- It is memorize the indication values of power failure before state.
- External reset terminal is placed at back side of unit
- To easy to read, taking high bright RED FND
- Output 1:1, 10:1, 100:1 Pulse

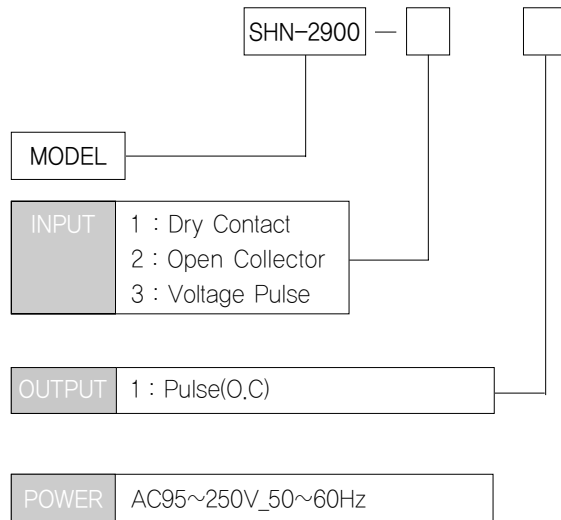
GENERAL SPECIFICATIONS

Input	Pulse
Isolation	Input to display to Power
Power Supply	AC Rating $\pm 10\%$ approx 4VA
Display	7 Segment & 6Digit
Input Impedance	10k Ω
Frequency Range	2kHz(Max)
Insulation Resistance	Greater than 100M Ω with DC500V
Dielectric Strength	Input - Power GND- Power
Open Collector Sensing	DC 12V at 3mA
Pulse Amplitude	500mV(p-p) ~ 50V(p-p)
Duty Ratio	10~90%
Operating Temperature / Humidity	-20~50°C / 90%(N.C)
Dimensions	W240×H96×D151(mm)
Case Material	Steal(Black)
Weight	about 1.5Kg
Frequency Range	Panel Mounting Type

DIMENSIONS



MODEL & SUFFIX CODE SELECTION



CONNECTON EXAMPLE

7	8	9	10	11	12	13	14	15
Sup	Sig	GND	Reset		Pulse Output		AC POWER	

BLOCK DIAGRAM

