

SIGNAL ARRESTER

SSP-25/40 Series



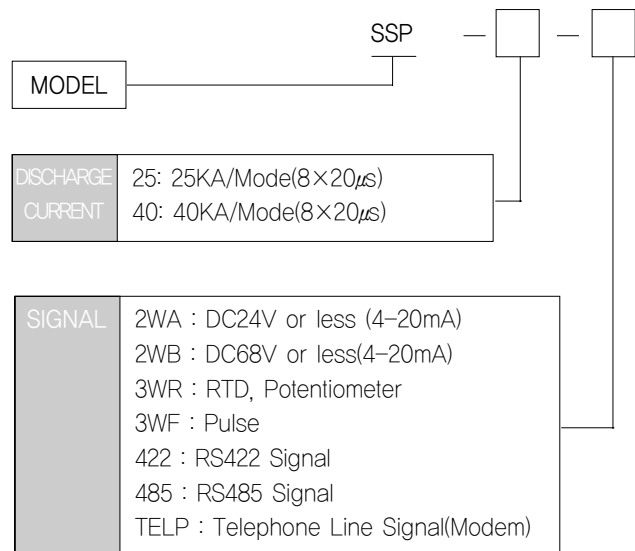
SSP series are designed for protects electronic equipments damagede from lightning surge that induced by sensor signal lines – DC signal, 2-wire current loop, EIA protocol data, telephone lines, RTD sensor lines, relay contact, pulse sensor lines – connected to controller or monitor equipment. All material of this unit acquired UL1449, UL497B, UL1414, CSA certificate and improve protection efficiency against for surge or overvoltage effect, induced or conducted through wire connection by lightning. It also improve protection efficiency for direct or indirect surge effect, that induced or conducted through power lines by contains 2 steps protection circuits.

- 2 stage protect construction, IEC Category C1, C2, C3, D1
- Applied technique : Basis on ANSI/IEEE Category "A"/"C"
- Surge Suppression Voltage : under 43Vpk(for signal lines)

GENERAL SPECIFICATIONS

| MODEL & Applications | | SSP-2WA | SSP-2WB | SSP-3WR | SSP-3WF | SSP-422 | SSP-485 | SSP-TELP |
|---|------------------------------------|--|------------------|-----------------------|-----------------|------------------|----------------|---------------------|
| | | DC24 or less | DC68V or less | RTD, POTENTIOMETER | PULSE SIGNAL | RS-422 SIGNAL | RS-485 LINE | TELEPHONE SIGNAL |
| Discharge | btwn lines | DC28V | DC70V | DC7.5V | DC14V | DC7.5V | DC6V | |
| Voltage | btwn lines & GND | DC230V or AC180V (RMS) 150V(p-p) | | | | | | 150V(p-p) |
| | Stage 1 circuit Stage 2 circuit | DC 75V±15V | | | | | | |
| Typical Response Time | | 15ns or less (option:) | | | | | | |
| Discharge Current | SSP25 | 25KA/Mode(8×20) μ s, 50KA/Line(8×20) μ s | | | | | | |
| | SSP40 | 40KA/Mode(8×20) μ s, 80KA/Line(8×20) μ s | | | | | | |
| Impulse Life | | 1000times(10×1000 μ s/500A) | | | | | | |
| Insulation Resistance | | 1000M Ω (Min) | | | | | | |
| Operating Frequency | | | | | | | | 5MHz(50MHz) |
| Line Capacitance | | 2pf (1MHz) | | | | | | |
| Current/Energy Derating(85°C) | | -2.5%/°C | | | | | | |
| Maximum Voltage Temperature Coefficient | | < -0.01%/°C | | | | | | |
| Internal Series Resistance | | Approx 5 Ω | | | | | | Approx20 Ω |
| Clamping Voltage Rating | | 43Vpk | 110Vpk | 15Vpk | 27Vpk | 15Vpk | 12Vpk | 145Vpk |
| Operating Temperature/Humidity | | -25°C~+85°C(-40°C~125°C)/90%(95%) RH(Max) | | | | | | |
| Dimensions | | W64×H131×D37(mm) | | | | | | |
| Case Material | | Aluminum/NEMA/Shield or Isolated | | | | | | |
| Weight | | about 800g | | | | | | |
| Mounting / Grounding | | Wall Mounting/Isolated Ground | | | | | | |

MODEL & SUFFIX CODE SELECTION

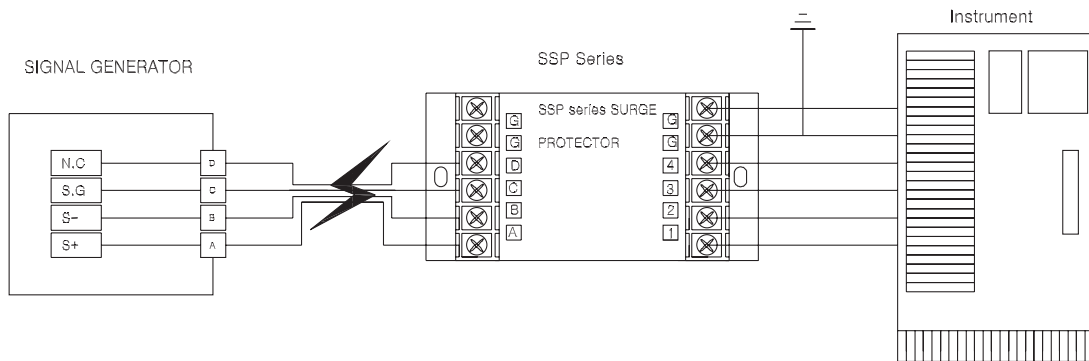


SIGNAL ARRESTER

SSP-25/40

TERMINAL CONNECTION

A제품의 접지 단자는 동축케이블 보호용으로 사용하는 기준접지에 14AEG 이상이 접지선을 30cm가 초과하지 않도록 가능한 짧게 결선합니다. 또한 보호되어야 할 장비의 AC전원도 낙뢰보호기를 함께 결선하여야만 Surge 인입시 피해를 최소화 할 수 있다.



DEMENSIONS (SCALE:mm)

