

ARRESTER(for T/C)

SHN-TCR



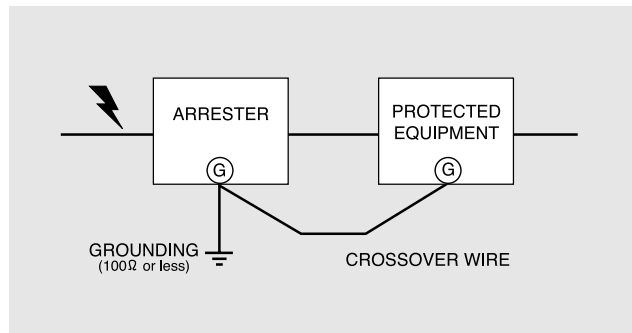
SHN-TCR is designed for thermocouple circuits. This unit absorbs the lightning surges entering the temperature transmitter or controller through the thermocouple or thermocouple extension wire.

GENERAL SPECIFICATIONS

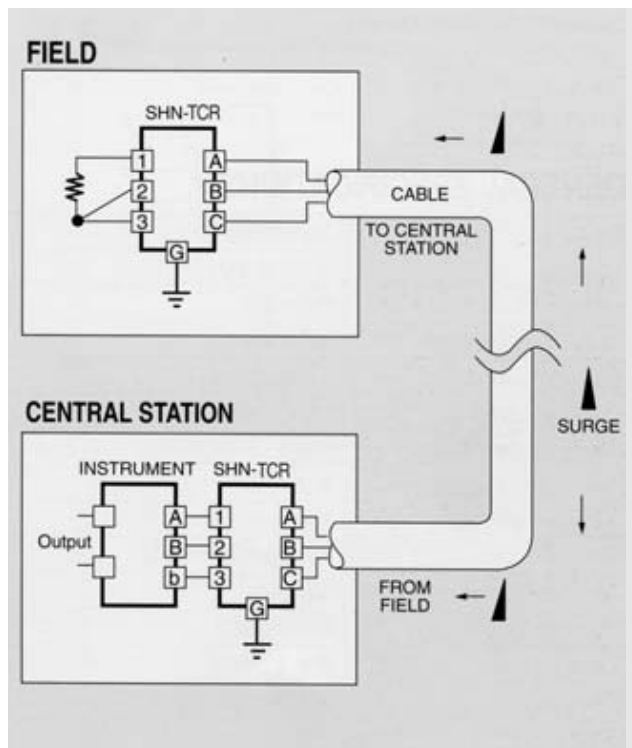
Input	Thermocouple	
Discharge Voltage	btwn lines	$\pm 7.5V$ or more
	btwn lines & GND	255V~345V
Max. Surge Voltage	btwn lines	16V or less
Response Time		0.1 μ sec or less
Discharge Current		1000A (8 \times 20) μ sec(10KA Option)
Max. Load Current		100mA
Internal Series Resistance		Approx. 5 Ω \pm 0.1%(30ppm/ $^{\circ}$ C)
Leakage Current	btwn lines	10 μ A or less(at 7.5V DC)
	btwn lines & GND	10 μ A or less(at 140V DC)
Max. Line DC Voltage		7.5V DC
Operating Temperature		-5 $^{\circ}$ C~+60 $^{\circ}$ C
Operating Humidity		90% RH Max
Dimensions		W23.5 \times H102 \times D62(mm)
Weight		140g
Mounting		Wall/Rail Mounting

GROUNDING

A crossover wire between ARRESTER ground and ground or metallic housing of equipment is required for protection.



CONNECTION DIAGRAM



BLOCK DIAGRAM

