

SIGNAL ARRESTER

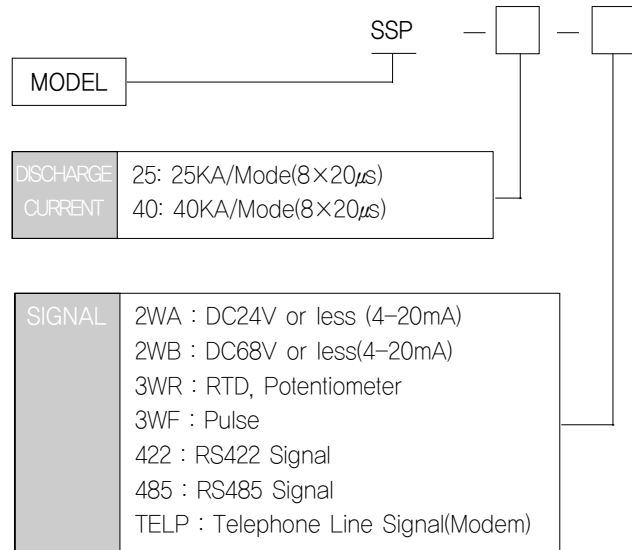
SSP-25/40 Series



SSP series are designed for protects electronic equipments damagede from lightning surge that induced by sensor signal lines – DC signal, 2-wire current loop, EIA protocol data, telephone lines, RTD sensor lines, relay contact, pulse sensor lines – connected to controller or monitor equipment. All material of this unit acquired UL1449, UL497B, UL1414, CSA certificate and improve protection efficiency against for surge or overvoltage effect, induced or conducted through wire connection by lightning. It also improve protection efficiency for direct or indirect surge effect, that induced or conducted through power lines by contains 2 steps protection circuits.

- 2 stage protect construction
- Applied technique : Basis on ANSI/IEEE Category “A”/”C”
- Surge Suppression Voltage : under 43Vpk(for signal lines)

MODEL & SUFFIX CODE SELECTION



GENERAL SPECIFICATIONS

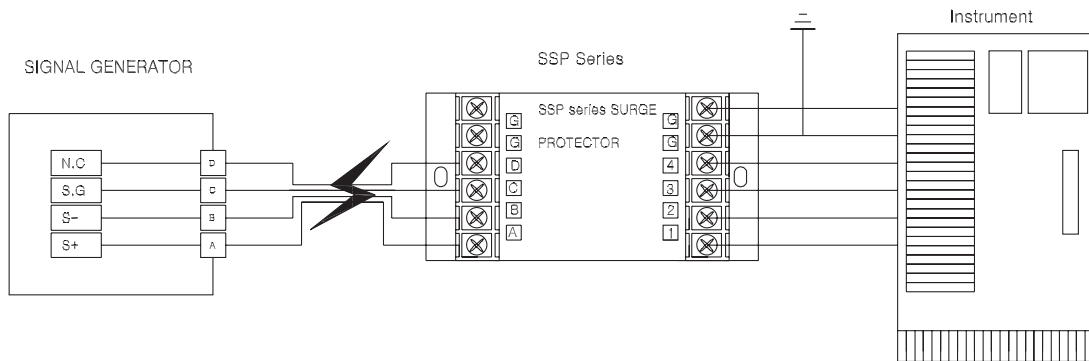
MODEL & Applications		SSP-2WA	SSP-2WB	SSP-3WR	SSP-3WF	SSP-422	SSP-485	SSP-TELP
		DC24 or less	DC68V or less	RTD, POTENTIOMETER	PULSE SIGNAL	RS-422 SIGNAL	RS-485 LINE	TELEPHONE SIGNAL
Discharge	btwn lines	DC28V	DC70V	DC7.5V	DC14V	DC7.5V	DC6V	
Voltage	btwn lines & GND	DC230V or AC180V (RMS) 150V(p-p)						150V(p-p)
	Stage 1 circuit Stage 2 circuit	DC 75V±15V						
Typical Response Time		15ns or less (option:)						
Discharge Current		SSP25 25KA/Mode(8×20)µs, 50KA/Line(8×20)µs SSP40 40KA/Mode(8×20)µs, 80KA/Line(8×20)µs						
Impulse Life		1000times(10×1000µs/500A)						
Insulation Resistance		1000MΩ (Min)						
Operating Frequency		5MHz(50MHz)						
Line Capacitance		2pf (1MHz)						
Current/Energy Derating(85°C)		-2.5%/°C						
Maximum Voltage Temperature Coefficient		< -0.01%/°C						
Internal Series Resistance		Approx 5Ω						Approx20Ω
Clamping Voltage Rating		43Vpk	110Vpk	15Vpk	27Vpk	15Vpk	12Vpk	145Vpk
Operating Temperature/Humidity		-25°C~+85°C(-40°C~125°C)/90%(95%) RH(Max)						
Dimensions		W64×H131×D37(mm)						
Case Material		Aluminum/NEMA/Shield or Isolated						
Weight		about 800g						
Mounting / Grounding		Wall Mounting/Isolated Ground						

SIGNAL ARRESTER

SSP-25/40

TERMINAL CONNECTION

A제품의 접지 단자는 동축케이블 보호용으로 사용하는 기준접지에 14AEG 이상이 접지선을 30cm가 초과하지 않도록 가능한 짧게 결선합니다. 또한 보호되어야 할 장비의 AC전원도 낙뢰보호기를 함께 결선하여야만 Surge 인입시 피해를 최소화 할 수 있다.



DEMENSIONS (SCALE:mm)

