

PE-EI

BELT TRANSMISSIONS VARIABLE SPEED



APH

AHW



APH-BS

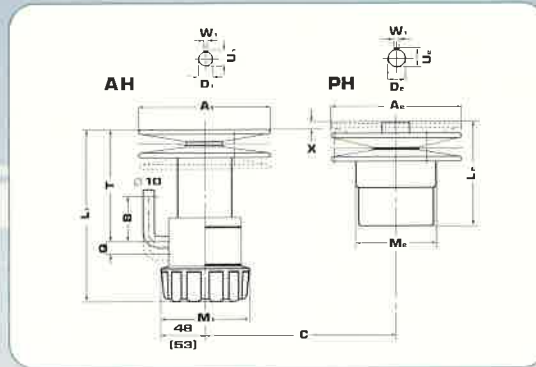


AHV-BS



BELT TRANSMISSIONS VARIABLE SPEED

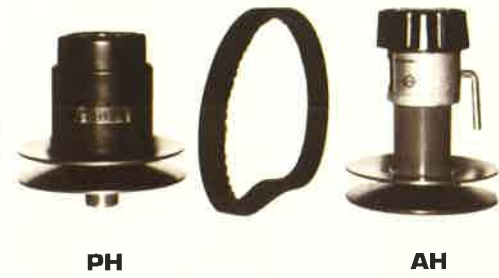
Dimension Diagram



APH5



APH02-APH2



APH (Dimensions)

Size	AH												PH									
	A1	M1	L1	B	Q	T	D1	U1	W1	max P.D	min P.D	kg.	A2	M2	L2	D2	U2	W2	max P.D	min P.D	X	kg.
APH-02	90	70	141	-	10	65	11 14	16.5	-	85	34.5	2.0	106	67.5	91	12 15	- 16.5	- 5	101	53.5	-2	1.4
APH-05	124	86	164	53	11	107	14 16	16.5 18.5	5	114	58	2.4	124	79	122	15 18	17.5 20.5	5	118	62	10	2.3
APH-1	140	86	172	53	15	122	19 24	22 27.5	6 8	135	58	2.7	155	94	150	18 22	20.5 25.5	5 7	150	77	10	4.0
APH-2	155	86	205	53	17	142	24 28	27.5 31.5	8	148	60	3.6	185	104	172	22 25	25.5 28.5	7	178	103	14	6.0
APH-5	185	86	225	74	17.5	89	28	31.5	8	172	70	8.5	224	85	165	25 30	34	7	216	120	40	6.2
APH-7.5	250	200	270	75	34	210	38	41.5	10	240	115	12.5	325	200	205	35 40	38.5 43.5	10	290	175	70	23

APH (Model APH)

Size	Motor HP			Ratio
APH-02	1/4	AH-90 PH-106	1022V 220 163	1:4
APH-05	1/2	AH-124 PH-124	1422V 270 200	1:3.5
APH-1	1	AH-140 PH-155	1422V 270 172	1:4
APH-2	2 3	AH-155 PH-185	1922V 298 182	1:4
APH-5	5	AH-185 PH-224	41x988 250	1:4
APH-7.5	7.5	AH-250 PH-325	4430V 630 457	1:4

Size			
APH-02	1022V 220 163	1022V 247 200	
APH-05	1422V 270 200	1422V 300 242	1422V 330 278
APH-1	1422V 270 172	1422V 300 214	1422V 330 250
APH-2	1922V 298 182	1922V 321 211	1922V 338 235
APH-5	41x988 250	41x1063 293	41x1263 390
APH-7.5	4430V 630 457	4430V 670 507	