

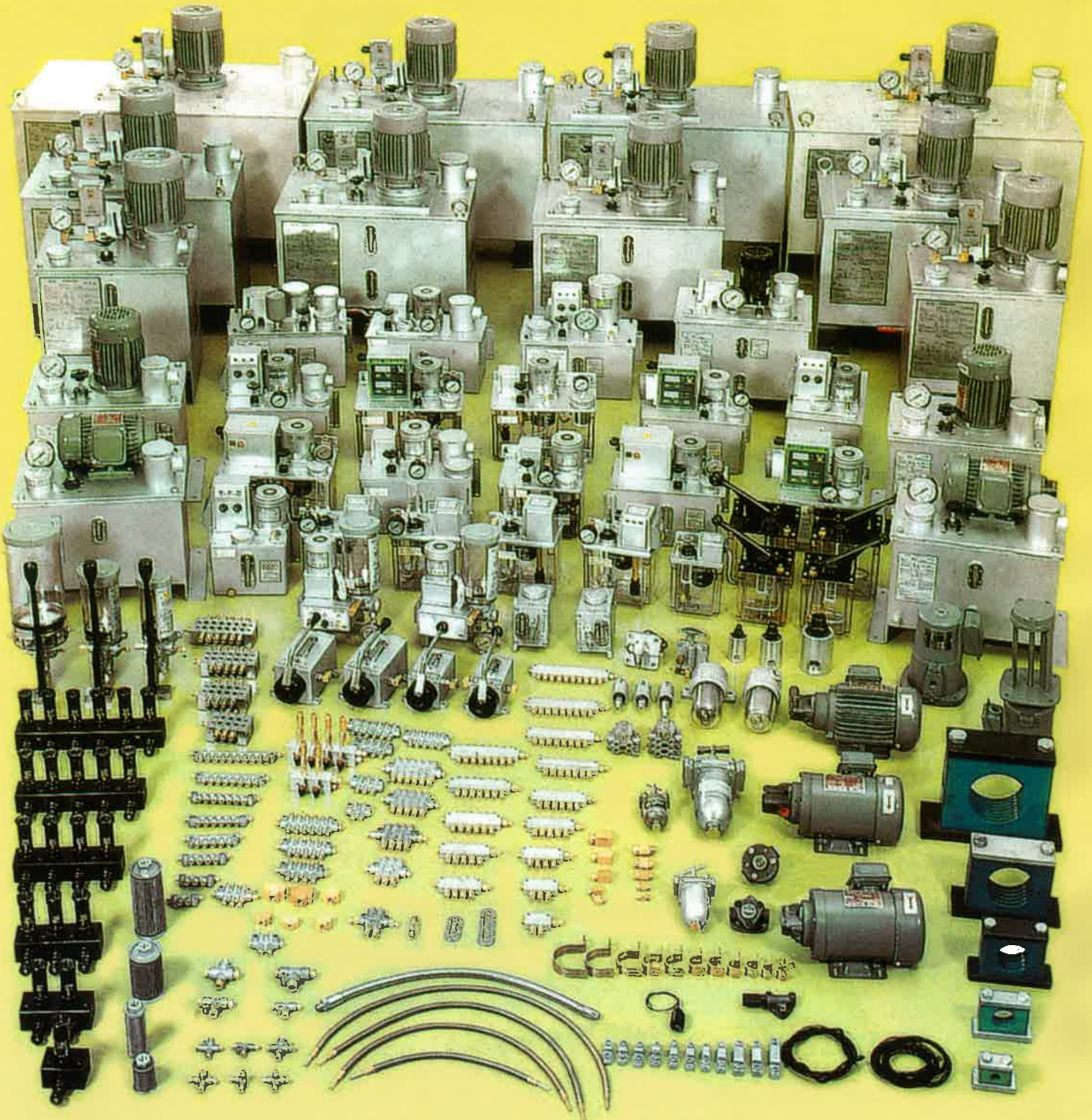


CENTRALIZED LUBRICATION SYSTEMS

ISO 9001  
BSMI  
REGISTERED  
CERTIFIC. 3889002

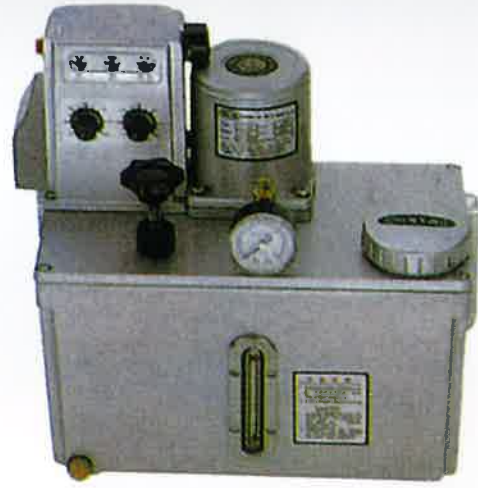


อุปกรณ์หล่อลื่นน้ำมัน





**CEA-2**



**CEA-4**



**CEV**



**CEF-4**

**CEA : CEA IC OILER PATENT NO.**

Type	Operation	Intermission	Outler volumn(max)	Outlet diameter	Outlet diameter	Motor		Single	
						Watt		Volt	
CEA-2	3sec. 3min	1-60	200 cc.	0-12kgf/cm <sup>2</sup>	4 ∅	25W		110V	220V
CEA-4		1-180							
		1-360							
Type	L	W	H	MID-FIX HOLE	NW (kg)				
CEA-2	215	150	280	200x95	6.5				
CEA-4	300	160	280	283x95	7.2	60W (60W is applicable)			

**CEV : ELECTRIC CONTINUOUS LUBRICATOR**

Model	Discharge capacity	Discharge capacity	Discharge capacity	Wout	Volt	Single	Capacity	Material	NW (kg)
CEV-2	0-200	0-12	∅4-∅6	25W	110.220		2 l	Aluminium	5.2
CEV-4	0-200	0-12	∅4-∅6	25W	110.220		4 l	Resin	5.2

**CEF-4 : CYCLIC IC LUBRICATOR**

Type	Operation	Intermittent	Outler volumn(max)	Outlet diameter	Outlet diameter	Motor		Single	
						Output		Volt	
CEF-4	3sec.- 3min	1-60	0-200cc.	0-12kgf/cm <sup>2</sup>	4 ∅	25W		110V	220V
CEF-8		1-180							
		1-360							

## CLA-6.8 (HAND LUBRICATOR)

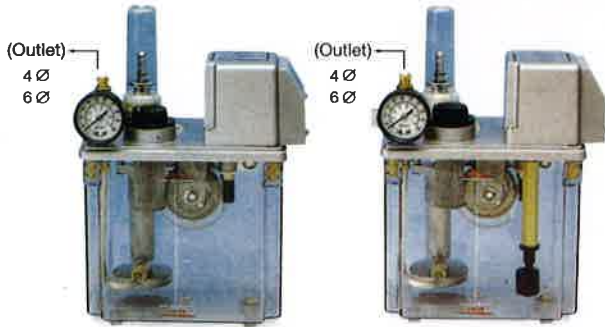


CLA-6

CLA-8

Model	Discharge capacity	Max. discharge pressure	Tank capacity	Effective capacity	Discharge bore	Discharge ports	Fixed hole size	NW (g)
CLA-6	8cc	15kg/cm <sup>2</sup>	350cc	250cc	PT1/8	Left/Right each 1 output	85x85	1562
CLA-8			600cc	400cc			100x110 98x107	1584

## CESA, CESB



CESA

CESB

Model	Intermittent time/min	Volt	Discharge capacity (cc/cy)	Max. pressure (Kg/cm <sup>2</sup> )	Oil tank capacity (l)	Floating Swith
CESA	2,3,5,10	220V	3-6	3	2	X
CESB	15,30,60	220V	3-6	3	2	O

## CLHA-10, CLHA-20



CLHA-20

CLHA-10

Model	Discharge capacity	Oil tank (ℓ)	Max. Pressure	Discharge bore	L	W	H	kg
CLHA-10	2CC	300CC	100kg/cm <sup>2</sup>	1/8PT	125	70	325	0.8
CLHA-15	2CC	400CC			270	105	440	1.6
CLHA-20	2CC	600CC			125	90	325	1.1
CLHA-50	2CC	2000CC			150	130	330	1.6

## KSB-30A, KSC-30

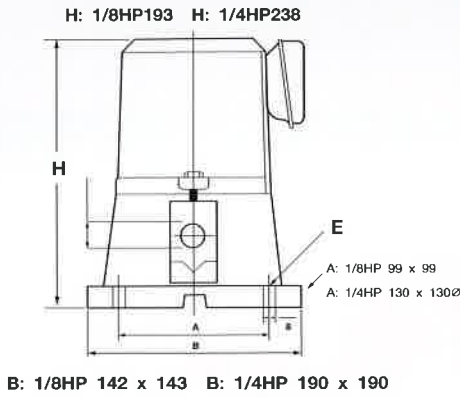


KSB-30A

KSC-30

Model	Oil tank	A Size A	B Size A	Discharge bore	Voltage	Operation	Intermittent	NW (kg)
KSB-30A	600 cc.	192	262	4 Ø	110V/220V	0-12min	1-180 1-360	3.3
KSB-35A	1000 cc.	199	280					3.6
KSB-50A	2000 cc.	217	367	4.3				
KSC-30	600 cc.	192	262	6 Ø		PLC	PLC	3.24
KSC-35	1000 cc.	199	280					3.53
KSC-50	2000 cc.	217	367	PT1/8				4.2

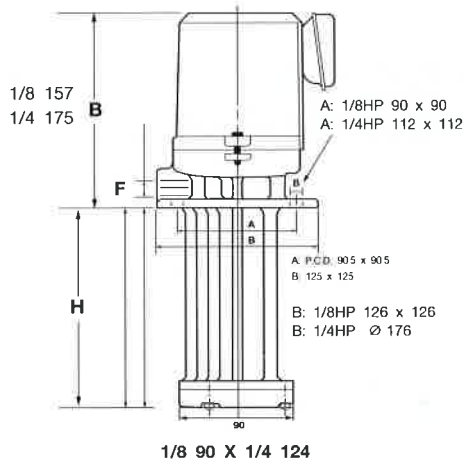
## Self-Absorption Cooling Pump



		220	380	440	415	NW	
		110	220				
A	1/8HP	130	HP	Pumping Water Q		Discharge bore	
			m/m	H= 1m	H= 2m		
B	142	190	1/8	179	28 ℓ / min	26 ℓ / min	3/8PS
E	∅8	∅8	1/4	225	86 ℓ / min	82 ℓ / min	1/2PS

Under Water Cooling Pump						ℓ / min	
HP	E	H	A	B	F	m	
1/2	9	280	215	195	3/4	120	90
3/4	9	300	215	200	1 in	185	140
1	9	300	220	200	1 in	240	190

## Deluged Cooling Pump



		220	380	415	440	NW
		110	220			
1/8HP	1/4HP	HP	m/m	Pumping Water Q		Discharge bore
				H= 1m	H= 2m	
90	112	1/8	150	24 ℓ / min	22 ℓ / min	3/8PS
126	176	1/8	160	26 ℓ / min	23 ℓ / min	3/8PS
126	176	1/8	180	26 ℓ / min	24 ℓ / min	3/8PS
157	175	1/4	180	60 ℓ / min	55 ℓ / min	1/2PS
90	124	1/4	270	60 ℓ / min	55 ℓ / min	1/2PS
∅8	∅8	1/4	320	58 ℓ / min	53 ℓ / min	1/2PS
∅8	∅8	1/4	350	58 ℓ / min	53 ℓ / min	1/2PS

Under Water Cooling Pump						ℓ / min	
HP	E	H	A	C	D	F	m
1/2HP	∅9	180	250	170	225	135	1/2
3/4HP	∅9	240	280	185	255	150	3/4
1HP	∅9	240	280	185	275	150	1 in

## Type Oil Pump With Motor Set



A-TYPE



B-TYPE



TOP

TYPE	Theoretic discharge capacity cc/rev	Discharge capacity		Max. pressure (kg/cm <sup>2</sup> )	Max. r.p.m.	Weight kg.	Bore dia.
		1500 rpm	1800 rpm				
TOP-10A	0.8	1.2	1.4	5.0	3000	0.55	PT1/8
TOP-11A	1.5	2.2	2.7	5.0	2000	0.55	PT1/8 1/4
TOP-12A	2.5	3.7	4.5	5.0	1800	0.60	PT1/4
TOP-13A	4.5	6.7	7.5	5.0	1800	0.80	PT3/8

A-TYPE , B-TYPE	
For three-phase	1/4HP 220V/380V
Output	200W
Poles	4P
Operation	continuous
Revolution	1400/1740rpm
Voltage	220V/380V, 440V/415V
Frequency	50/60Hz

TYPE	ℓ /min	50Hz 4 P (1500rpm)		
		(kg/cm <sup>2</sup> )		
		400W	750W	1500W
ROP-203HAM	4.2	30.0	30.0	30.0
ROP-204HAM	6.0	21.5	30.0	30.0
ROP-206HAM	9.0	10.5	25.0	25.0
ROP-208HAM	12.0	7.0	23.0	25.0
ROP-210HAM	15.0	4.5	15.5	25.0
ROP-212HAM	18.0	3.5	13.5	20.0
ROP-216HAM	24.0	2.0	8.5	20.0
ROP-220HAM	30.0		5.5	15.0