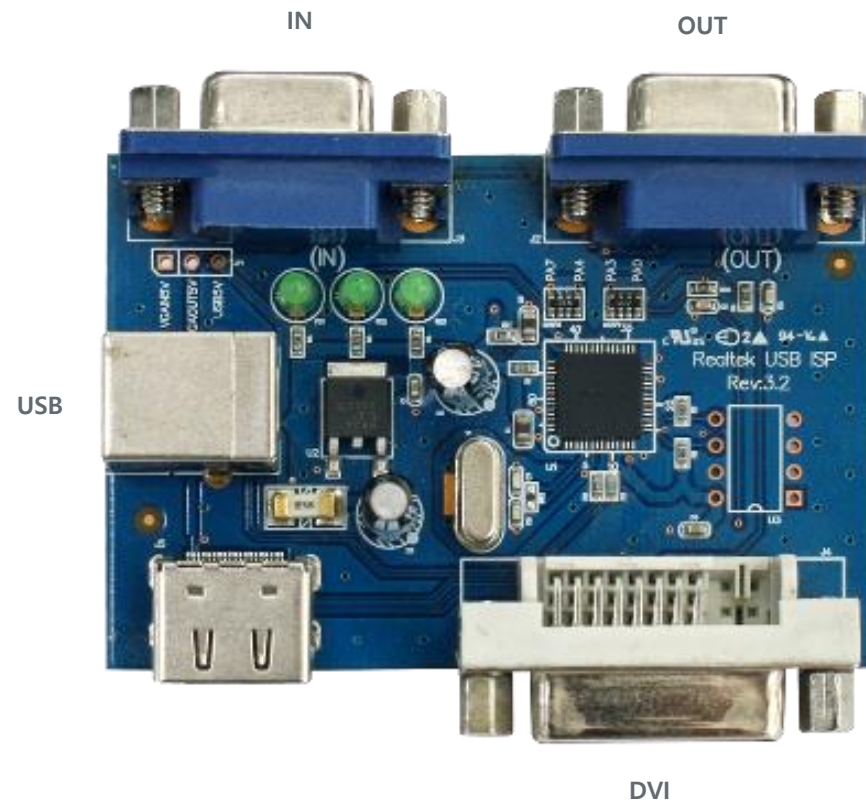


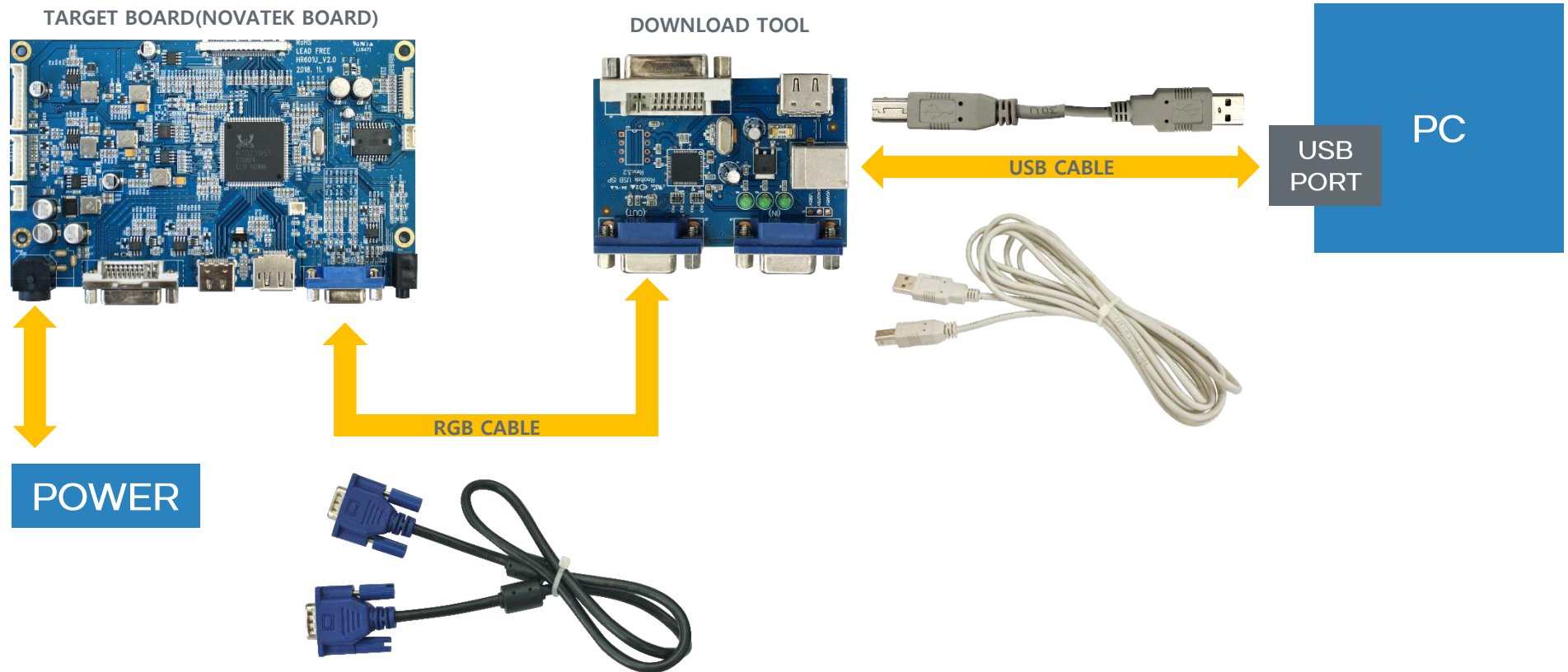
# REALTEK

Application Model. [HI-2281](#)  
[HR-100L](#)  
[HI-HDMI](#)  
[HI-DP](#)  
[HI-AVM](#)  
[HI-4K\\_MONITOR](#)  
[HR 601U](#)  
[HR 501](#)

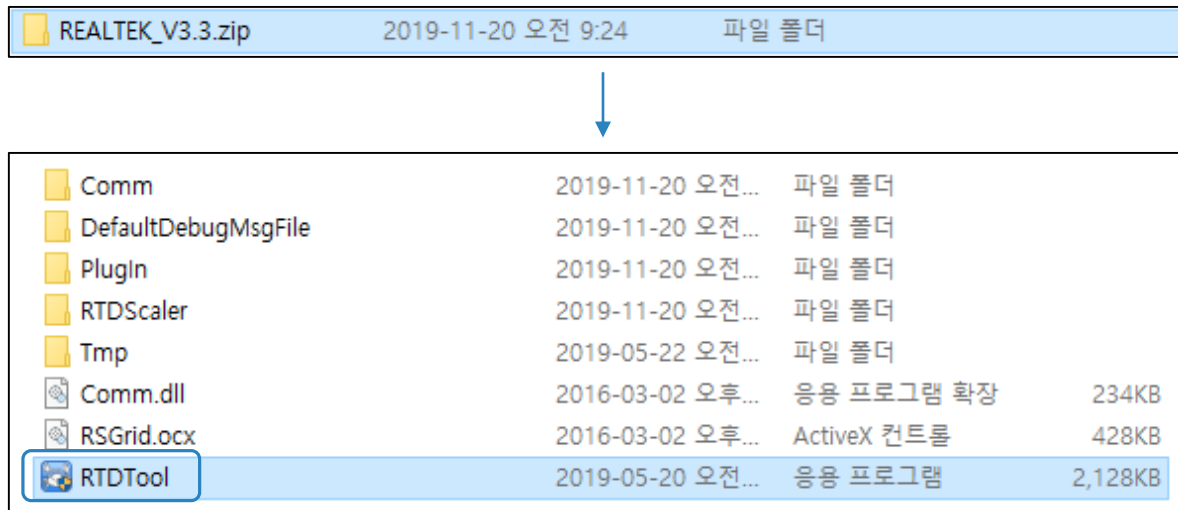
## Firmware Download Tool



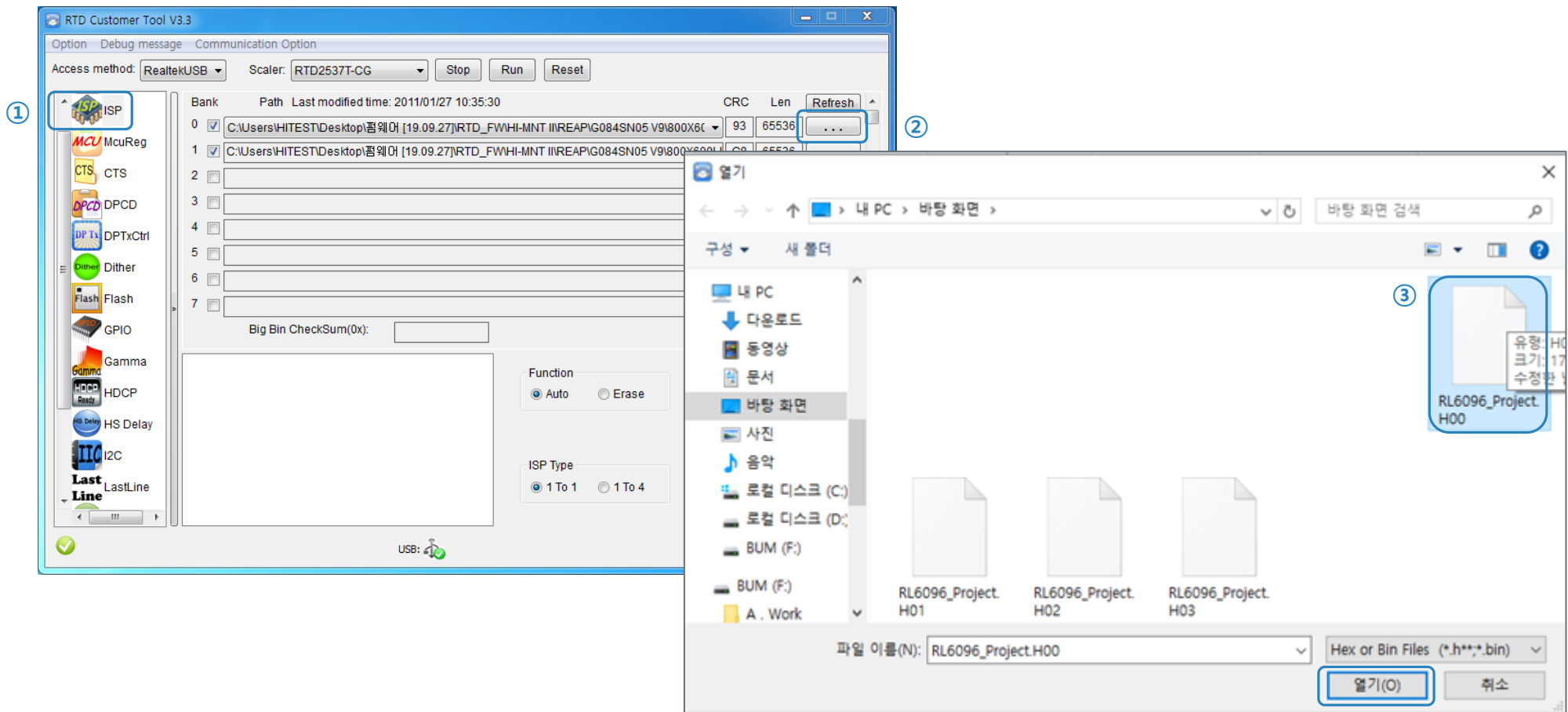
2. Connect the target board(HR601U) and the DOWNLOAD TOOL to the PC with the prepared cable.



3. Double-click the **RTDTool.exe** file in the downloaded folder.



- ① Please select an **ISP**.
- ② Please click Open Folder.
- ③ If you open **H00** file among 4 firmware to be applied, checked 1 ~ 3 will be automatically selected.  
(The four firmware files are provided directly to our customer representatives.)



- ① Click on the **Lightning Mark** to start the firmware.
- ② When complete, the **OK** screen appears as shown below. (However, FAIL screen will appear on failure.)

